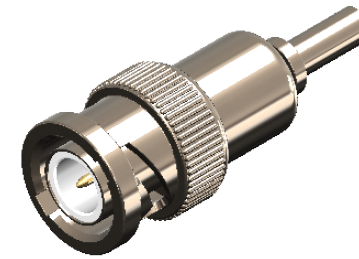


Revisions

Issue	Date	Note
2	01/07/2022	See GTXPDC/531 - checked DB 01/07/2022

DATASHEET



1. Mechanical

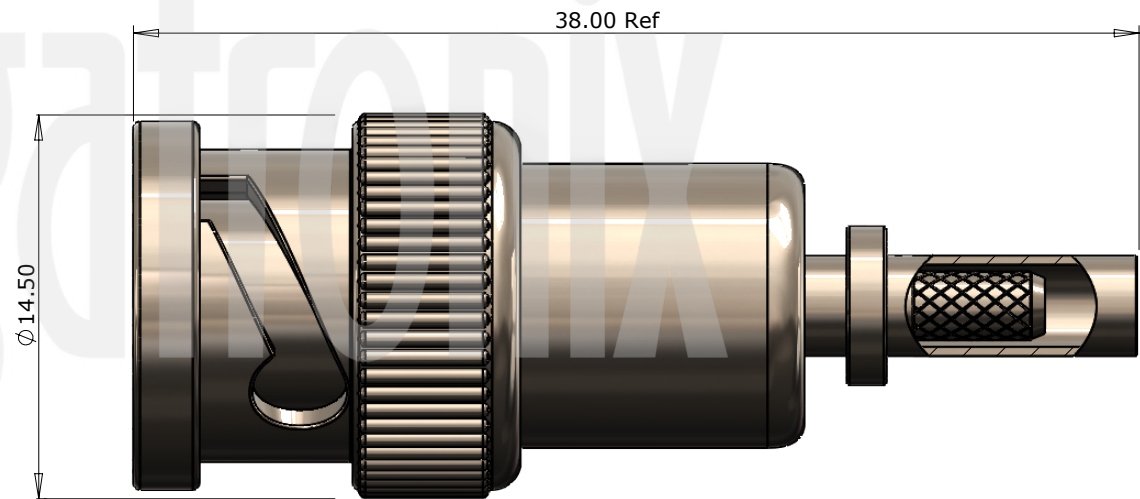
Cable Retention	Equal to breaking strain of cable
Durability	500 mating cycles
Fixing Method	Crimp

2. Environmental

RoHS Compliant	Yes
Temperature Range	-65 to +165 degrees C

3. Electrical

Dielectric Withstanding	1500 Volts RMS Maximum
Impedance	50 ohms
Interface Frequency	4 GHz
Working Voltage	500 Volts RMS Maximum



Description	Material	Finish
6 Ferrule	Brass	Nickel
5 Dielectric	PTFE	White
4 Pin	Brass	Gold
3 Integral Pin	Phosphor Bronze	Gold
2 Coupling Nut	Brass	Nickel
1 Body	Brass	Nickel

Unless otherwise specified tolerances
 0.5-5 = ±0.2
 >5-30 = ±0.4
 >30-120 = ±0.6
 >120-315 = ±1.0
 >315-1000 = ±1.6
 Angles = ±5°
 Units = mm

This document is the confidential property of Gigatronix Limited and may not be copied, reproduced or transmitted to any third party without written authorisation.



Author	PJP
Drawn by	PJP
Drawing date	24/07/2017
Checked by	TM
Checked date	25/07/2017
Scale	Not to scale

Part Number	BN15-3161-C06WP
Title:	BNC Waterproof Crimp Plug, IP68, Nickel Plated, RG174, LBC100, RG316

Revisions		
Issue	Date	Note
2	01/07/2022	See GTXPDC/531 - checked DB 01/07/2022

ASSEMBLY INSTRUCTIONS

Assembly Instructions:

1) Slide the ferrule onto the cable and strip the cable to the dimensions as shown, taking care not to nick the centre conductor or braid

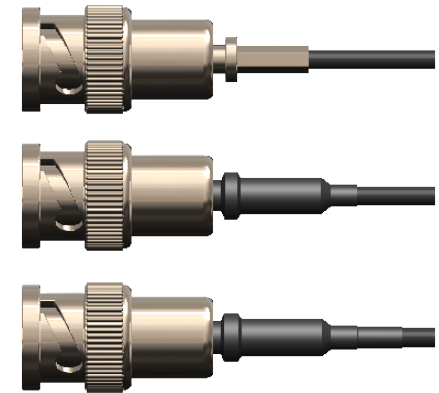


2) Crimp or solder the small pin onto the centre core and then push into the body, ensuring that the cable braid is on the outside of the connector mandril and that the centre pin is fully located within the integral pin

3) Slide the ferrule forward and crimp

4) Apply adhesive lined heatshrink x 20mm up and over the mandril

5) Apply adhesive lined heatshrink x 25mm over the top of the first heatshrink

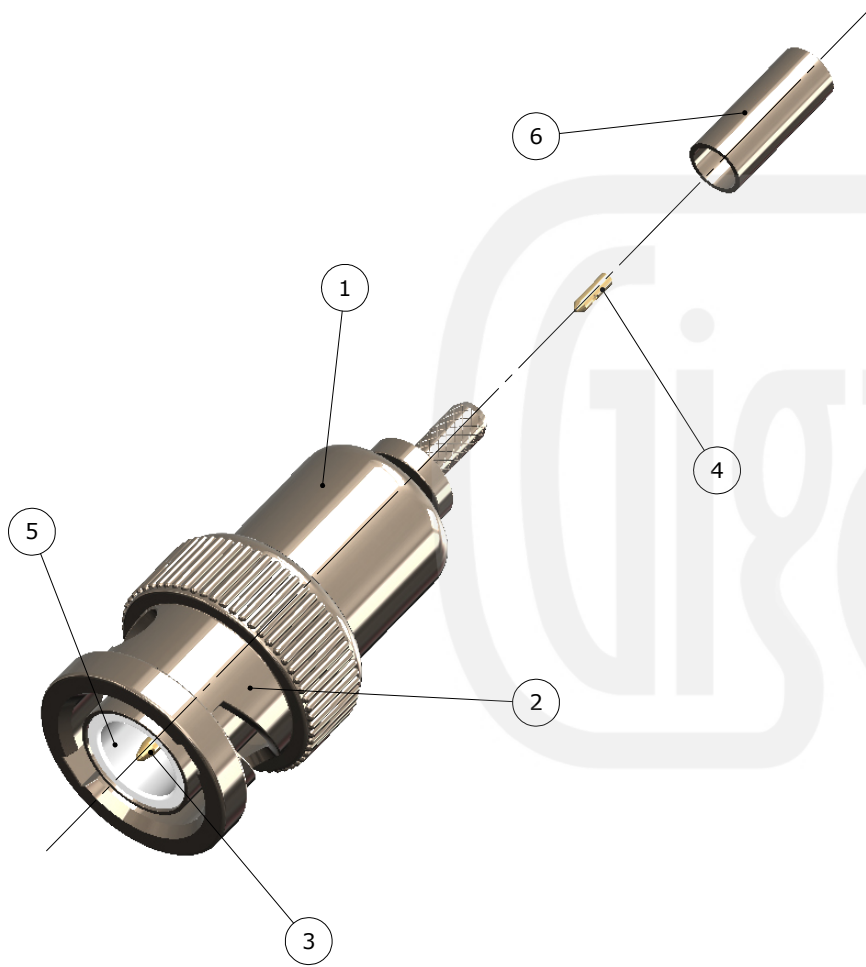


Crimp Die Sizes:

3.25mm Hex., 0.72 Sq.

Strip Dimensions:

A=6.0mm, B=4.7mm, C=1.8mm



Description	Material	Finish
6 Ferrule	Brass	Nickel
5 Dielectric	PTFE	White
4 Pin	Brass	Gold
3 Integral Pin	Phosphor Bronze	Gold
2 Coupling Nut	Brass	Nickel
1 Body	Brass	Nickel

Unless otherwise specified tolerances
 0.5-5 = ±0.2
 >5-30 = ±0.4
 >30-120 = ±0.6
 >120-315 = ±1.0
 >315-1000 = ±1.6
 Angles = ±5°
 Units = mm

This document is the confidential property of Gigatronix Limited and may not be copied, reproduced or transmitted to any third party without written authorisation.

Gigatronix

Part Number BN15-3161-C06WP

Title: BNC Waterproof Crimp Plug, IP68, Nickel Plated, RG174, LBC100, RG316

Author	PJP
Drawn by	PJP
Drawing date	24/07/2017
Checked by	TM
Checked date	25/07/2017
Scale	Not to scale