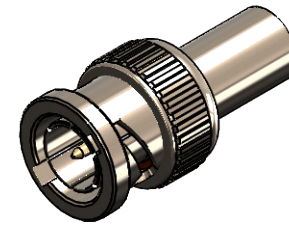


Revisions

Issue	Date	Note
5	12/01/2024	See GTXPDC/901

DATASHEET



1. Mechanical

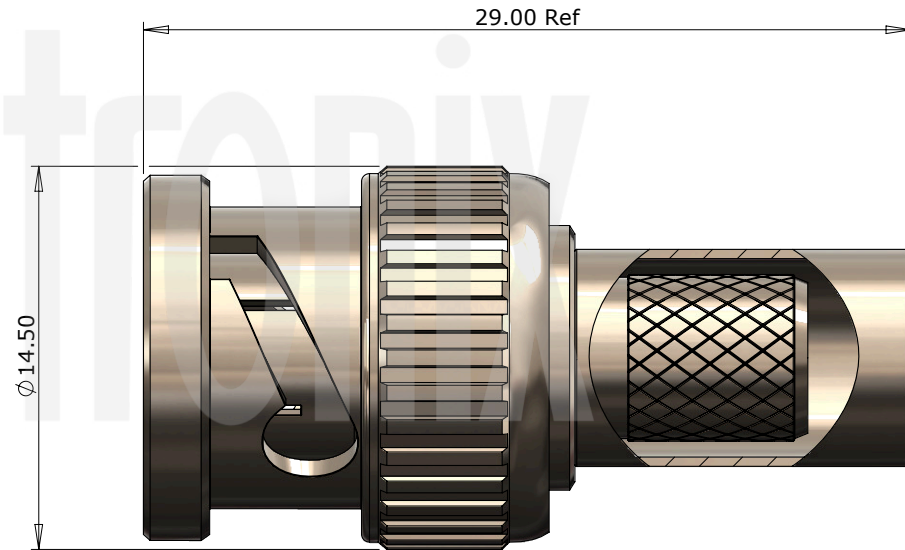
Cable Retention	Equal to breaking strain of cable
Fixing Method	Crimp
Durability	500 mating cycles
Contact Termination	Crimp

2. Environmental

RoHS Compliant	Yes
Temperature Range	-65 to +165 degrees C

3. Electrical

Dielectric Withstanding	1500 Volts RMS Maximum
Impedance	75 ohms
Interface Frequency	12 GHz
Working Voltage	500 Volts RMS Maximum
Return Loss	3GHz -27.9dB
	6GHz -29.7dB
	9GHz -28.5dB
	12GHz -33.8dB



Description	Material	Finish
5 Ferrule	Brass	Nickel
4 Dielectric	PTFE	White
3 Pin	Brass	Gold
2 Coupling Nut	Zinc Alloy	Nickel
1 Body	Brass	Nickel

Unless otherwise specified tolerances
 0.5-5 = ±0.2
 >5-30 = ±0.4
 >30-120 = ±0.6
 >120-315 = ±1.0
 >315-1000 = ±1.6
 Angles = ±5°
 Units = mm

This document is the confidential property of Gigatronix Limited and may not be copied, reproduced or transmitted to any third party without written authorisation.



Author	PJP
Drawn by	PJP
Drawing date	25/09/2015
Checked by	GP
Checked date	28/09/2015
Scale	Not to scale

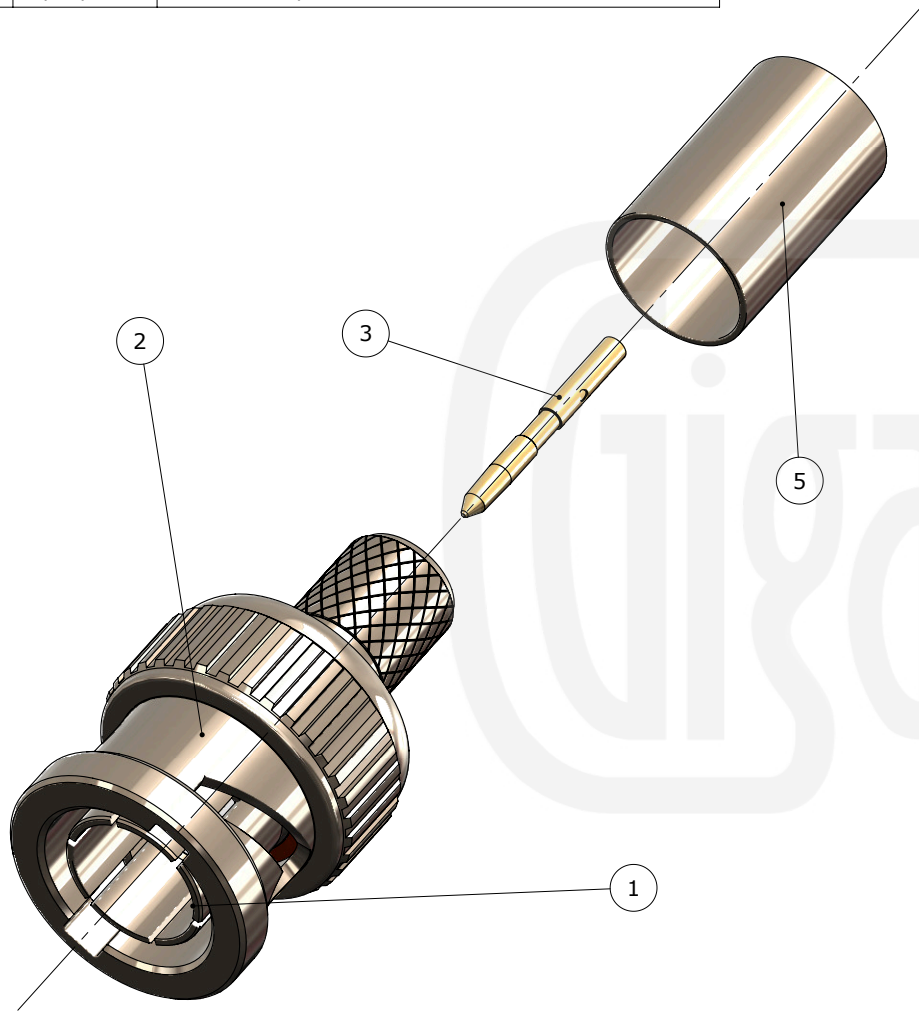
Part Number BN15-1694-C06D-Z

Title: BNC 12G SDI Crimp Plug, Nickel Plated, Gigatronix DV6/DV12-6, 6F, Belden 1694A, 4694R

Revisions

Issue	Date	Note
5	12/01/2024	See GTXPDC/901

ASSEMBLY INSTRUCTIONS



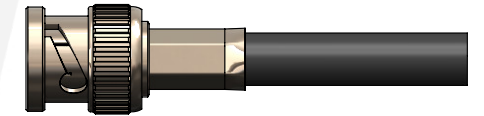
Assembly Instructions:

1) Slide the ferrule onto the cable and strip the cable to the dimensions as shown, taking care not to nick the centre conductor or braid



2) Crimp the pin onto the centre core and slide the pin into the body until it captivates, ensuring that the cable braid is on the outside of the connector mandril

3) Slide the ferrule forward and crimp



Crimp Die Sizes:

7.06mm Hex., 1.07mm sq. or Hex.

Strip Dimensions:

A=8.0mm, B=4.0mm, C=4.0mm



Unless otherwise specified tolerances
 0.5-5 = ±0.2
 >5-30 = ±0.4
 >30-120 = ±0.6
 >120-315 = ±1.0
 >315-1000 = ±1.6
 Angles = ±5°
 Units = mm

This document is the confidential property of Gigatronix Limited and may not be copied, reproduced or transmitted to any third party without written authorisation.



Author	PJP
Drawn by	PJP
Drawing date	25/09/2015
Checked by	GP
Checked date	28/09/2015
Scale	Not to scale

Part Number BN15-1694-C06D-Z

Title: BNC 12G SDI Crimp Plug, Nickel Plated, Gigatronix DV6/DV12-6, 6F, Belden 1694A, 4694R

Description	Material	Finish
5 Ferrule	Brass	Nickel
4 Dielectric	PTFE	White
3 Pin	Brass	Gold
2 Coupling Nut	Zinc Alloy	Nickel
1 Body	Brass	Nickel