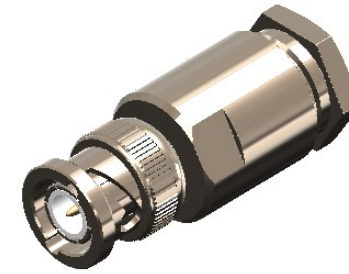


Revisions

Issue	Date	Note
1	08/03/2022	See GTXPDC/433

DATASHEET



1. Mechanical

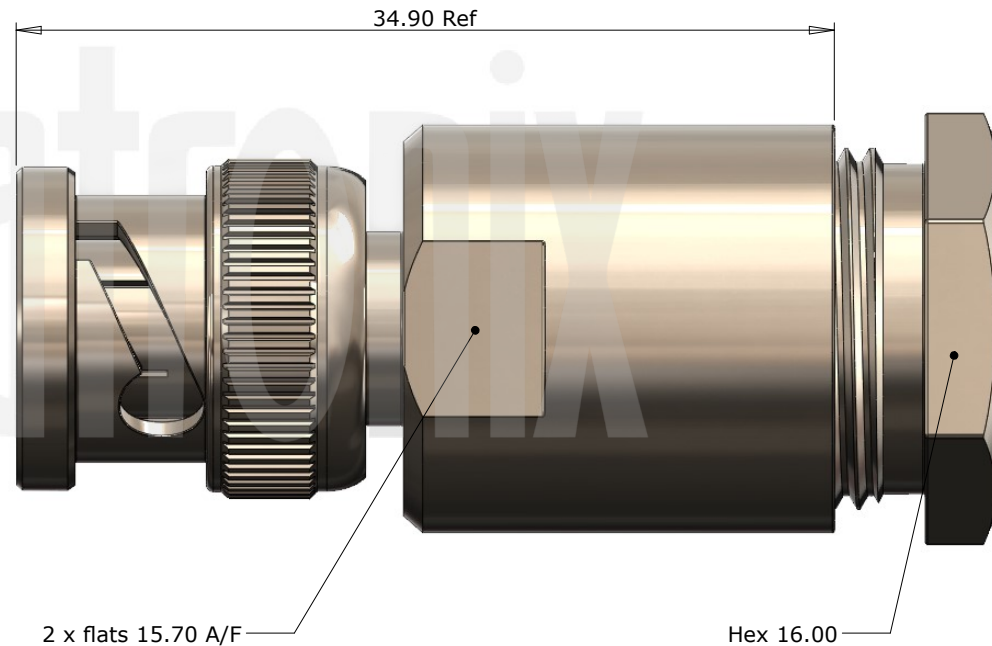
Cable Retention	Equal to breaking strain of cable
Durability	500 mating cycles
Fixing Method	Clamp

2. Environmental

RoHS Compliant	Yes
Temperature Range	-55 to +85 degrees C

3. Electrical

Dielectric Withstanding	1500 Volts RMS Maximum
Impedance	50 ohms
Interface Frequency	4 GHz
Working Voltage	500 Volts RMS Maximum



8	Washer	Brass	Nickel
7	Taper Clamp	Brass	Nickel
6	Backnut	Brass	Nickel
5	Gasket	Rubber	Red
4	Insulator	Delrin	White
3	Coupling Nut	Brass	Nickel
2	Pin	Brass	Gold
1	Body	Brass	Nickel
	Description	Material	Finish

Unless otherwise specified tolerances
 0.5-5 = ±0.2
 >5-30 = ±0.4
 >30-120 = ±0.6
 >120-315 = ±1.0
 >315-1000 = ±1.6
 Angles = ±5°
 Units = mm

This document is the confidential property of Gigatronix Limited and may not be copied, reproduced or transmitted to any third party without written authorisation.



Author	PJP
Drawn by	PJP
Drawing date	08/03/2022
Checked by	DB
Checked date	10/03/2022
Scale	Not to scale

Part Number	BN15-0213-L06
Title:	BNC Clamp Plug, Nickel Plated, Taper Fixing, RG213

Revisions

Issue	Date	Note
1	08/03/2022	See GTXPDC/433

ASSEMBLY INSTRUCTIONS

Assembly Instructions:

1) Strip the cable to the dimensions as shown, taking care not to nick the centre conductor or braid. Comb out the braid and twist into a point (this facilitates easier access of the taper clamp over the braid)



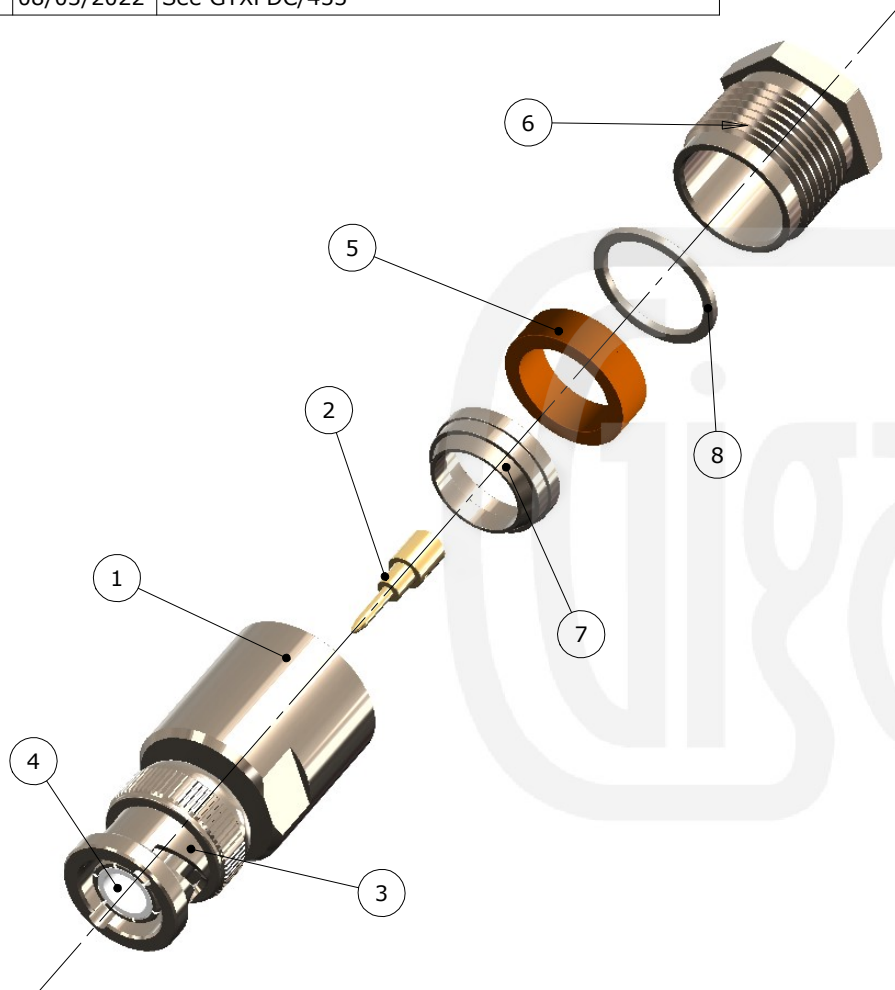
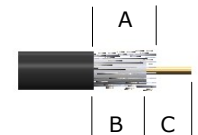
2) Slide the Back Nut, Washer and Grommet over the cable jacket as shown. Slide the Taper Clamp over the cable braid until it butts against the jacket. Fold the braid back over the Taper Clamp and trim as necessary. Solder the Pin onto the cable centre core



3) Insert the cable into the body as far as possible and engage the threads of the Back Nut. Tighten the Back Nut

Strip Dimensions:

A=10.0mm, B=5.5mm, C=4.5mm



8	Washer	Brass	Nickel
7	Taper Clamp	Brass	Nickel
6	Backnut	Brass	Nickel
5	Gasket	Rubber	Red
4	Insulator	Delrin	White
3	Coupling Nut	Brass	Nickel
2	Pin	Brass	Gold
1	Body	Brass	Nickel
	Description	Material	Finish

Unless otherwise specified tolerances
 0.5-5 = ±0.2
 >5-30 = ±0.4
 >30-120 = ±0.6
 >120-315 = ±1.0
 >315-1000 = ±1.6
 Angles = ±5°
 Units = mm

This document is the confidential property of Gigatronix Limited and may not be copied, reproduced or transmitted to any third party without written authorisation.



Part Number BN15-0213-L06

Title: BNC Clamp Plug, Nickel Plated, Taper Fixing, RG213

Author	PJP
Drawn by	PJP
Drawing date	08/03/2022
Checked by	DB
Checked date	10/03/2022
Scale	Not to scale