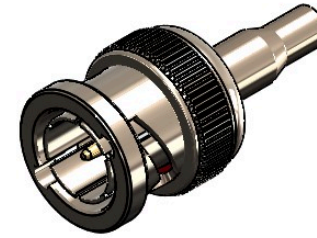


**Revisions**

Issue	Date	Note
5	12/09/2024	See GTXPDC/998

**DATASHEET**



**1. Mechanical**

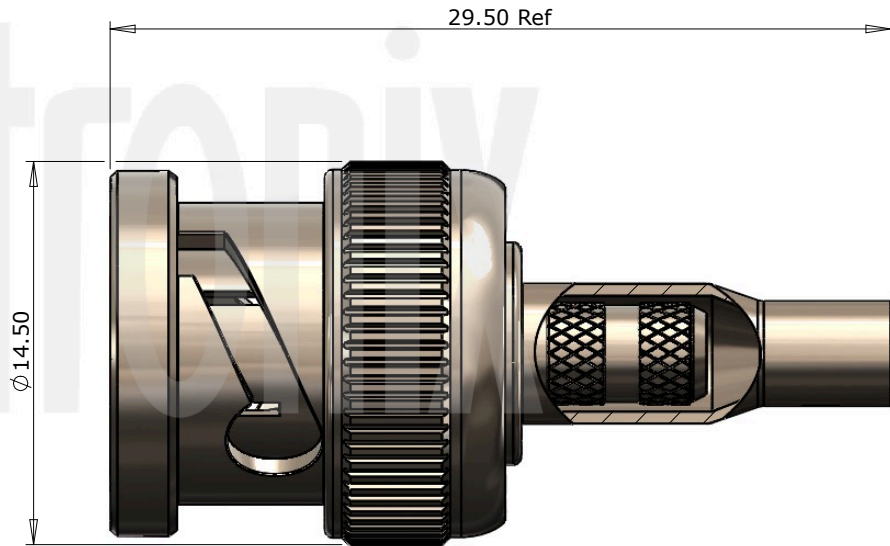
Cable Retention	Equal to breaking strain of cable
Fixing Method	Crimp
Durability	500 mating cycles
Contact Termination	Crimp

**2. Environmental**

RoHS Compliant	Yes
Temperature Range	-65 to +165 degrees C

**3. Electrical**

Dielectric Withstanding	1500 Volts RMS Maximum
Impedance	75 ohms
Interface Frequency	12 GHz
Working Voltage	500 Volts RMS Maximum
Return Loss	3GHz -29.6dB 6GHz -19.1dB 9GHz -16.7dB 12GHz -18.3dB



Description	Material	Finish
5 Ferrule	Brass	Nickel
4 Dielectric	PTFE	White
3 Pin	Brass	Gold
2 Coupling Nut	Zinc Alloy	Nickel
1 Body	Brass	Nickel

Unless otherwise specified tolerances  
 0.5-5 = ±0.2  
 >5-30 = ±0.4  
 >30-120 = ±0.6  
 >120-315 = ±1.0  
 >315-1000 = ±1.6  
 Angles = ±5°  
 Units = mm

This document is the confidential property of Gigatronix Limited and may not be copied, reproduced or transmitted to any third party without written authorisation.



<b>Author</b>	PJP
<b>Drawn by</b>	PJP
<b>Drawing date</b>	24/09/2015
<b>Checked by</b>	GP
<b>Checked date</b>	28/09/2015
<b>Scale</b>	Not to scale

<b>Part Number</b>	BN15-0179-C06D-Z
<b>Title:</b>	BNC 12G SDI Crimp Plug, Nickel Plated, Belden RG179DT, RG179B/U

**Revisions**

Issue	Date	Note
5	12/09/2024	See GTXPDC/998

**ASSEMBLY INSTRUCTIONS**

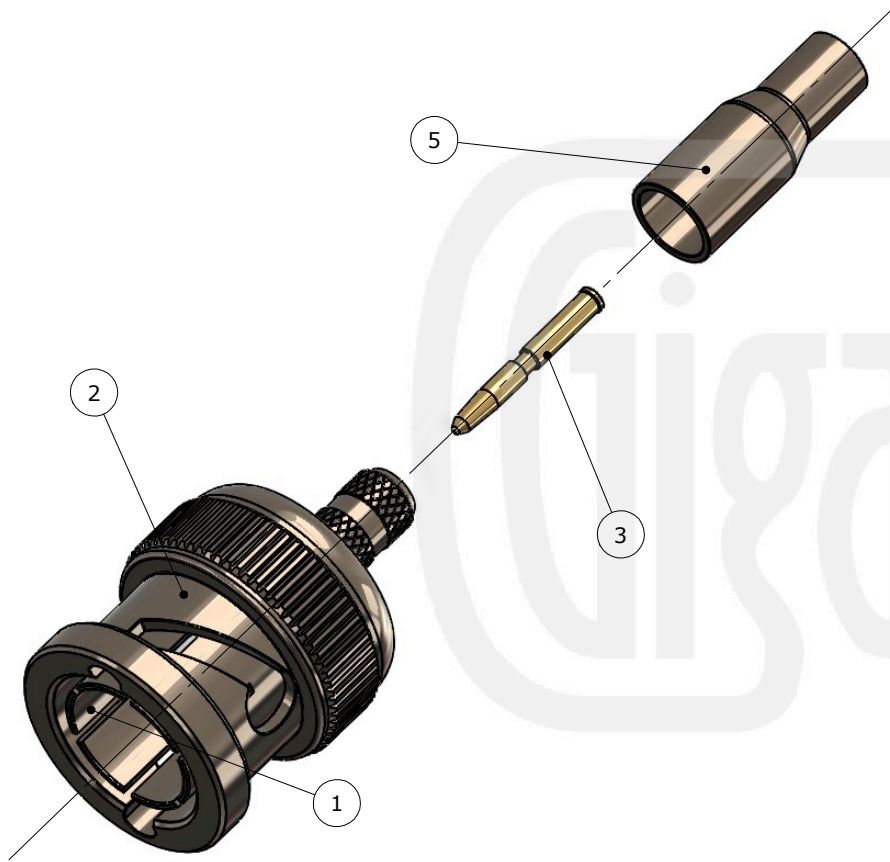
**Assembly Instructions:**

1) Slide the ferrule onto the cable and strip the cable to the dimensions as shown, taking care not to nick the centre conductor or braid



2) Crimp the pin onto the centre core and slide the pin into the body until it captivates, ensuring that the cable braid is on the outside of the connector mandril

3) Slide the ferrule forward and crimp



**Crimp Die Sizes:**  
4.52mm Hex., 1.07mm sq

**Strip Dimensions:**  
A=7.1mm, B=3.4mm, C=3.8mm



Description	Material	Finish
5 Ferrule	Brass	Nickel
4 Dielectric	PTFE	White
3 Pin	Brass	Gold
2 Coupling Nut	Zinc Alloy	Nickel
1 Body	Brass	Nickel

Unless otherwise specified tolerances  
 0.5-5 = ±0.2  
 >5-30 = ±0.4  
 >30-120 = ±0.6  
 >120-315 = ±1.0  
 >315-1000 = ±1.6  
 Angles = ±5°  
 Units = mm

This document is the confidential property of Gigatronix Limited and may not be copied, reproduced or transmitted to any third party without written authorisation.



<b>Author</b>	PJP
<b>Drawn by</b>	PJP
<b>Drawing date</b>	24/09/2015
<b>Checked by</b>	GP
<b>Checked date</b>	28/09/2015
<b>Scale</b>	Not to scale

**Part Number** BN15-0179-C06D-Z  
**Title:** BNC 12G SDI Crimp Plug, Nickel Plated, Belden RG179DT, RG179B/U