

Revisions

Issue	Date	Note
1	14/04/2022	See note GTXPDC/487

DATASHEET

1. Mechanical

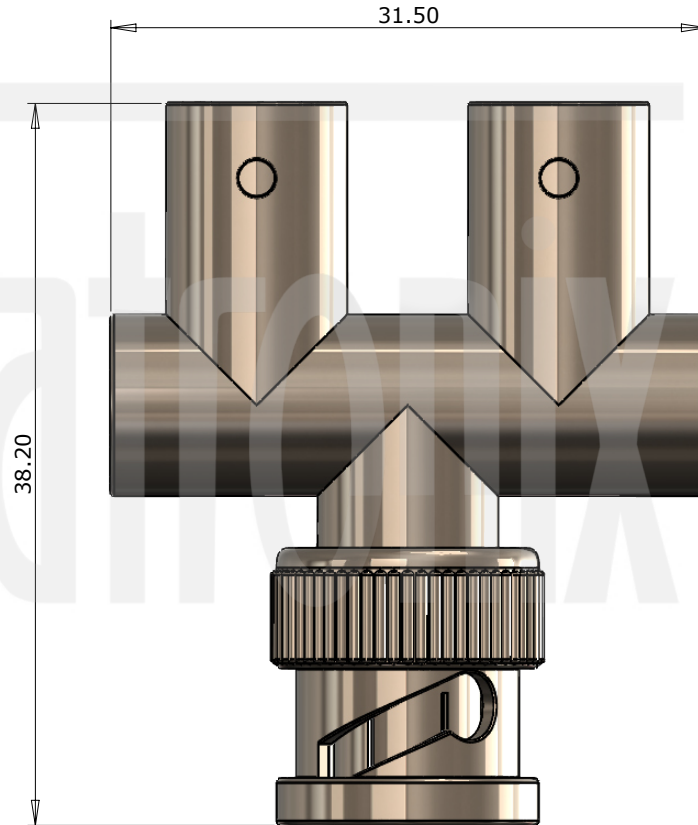
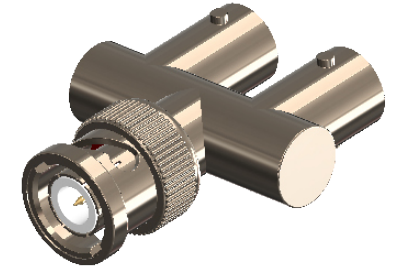
Fixing Method Not applicable
 Durability 500 mating cycles

2. Environmental

RoHS Compliant Yes
 Temperature Range 0 to +135 degrees C

3. Electrical

Dielectric Withstanding 1500 Volts RMS Maximum
 Impedance 50 ohms
 Interface Frequency 4 GHz
 Working Voltage 500 Volts RMS Maximum



4	Dielectric	Polypropylene	White
3	Pin	Brass	Gold
2	Contact	Brass	Gold
1	Body	Zinc Alloy	Nickel
	Description	Material	Finish

Unless otherwise specified tolerances
 0.5-5 = ±0.2
 >5-30 = ±0.4
 >30-120 = ±0.6
 >120-315 = ±1.0
 >315-1000 = ±1.6
 Angles = ±5°
 Units = mm

This document is the confidential property of Gigatronix Limited and may not be copied, reproduced or transmitted to any third party without written authorisation.



Author	PJP
Drawn by	PJP
Drawing date	14/04/2022
Checked by	DB
Checked date	20/04/2022
Scale	Not to scale

Part Number BN10-1510-A06-2
Title: BNC Goalpost Style Adaptor, Nickel Plated, Zinc Alloy Body, 50 ohms