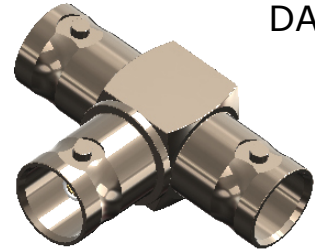


Revisions

Issue	Date	Note
1	14/04/2022	See note GTXPDC/484

DATASHEET



1. Mechanical

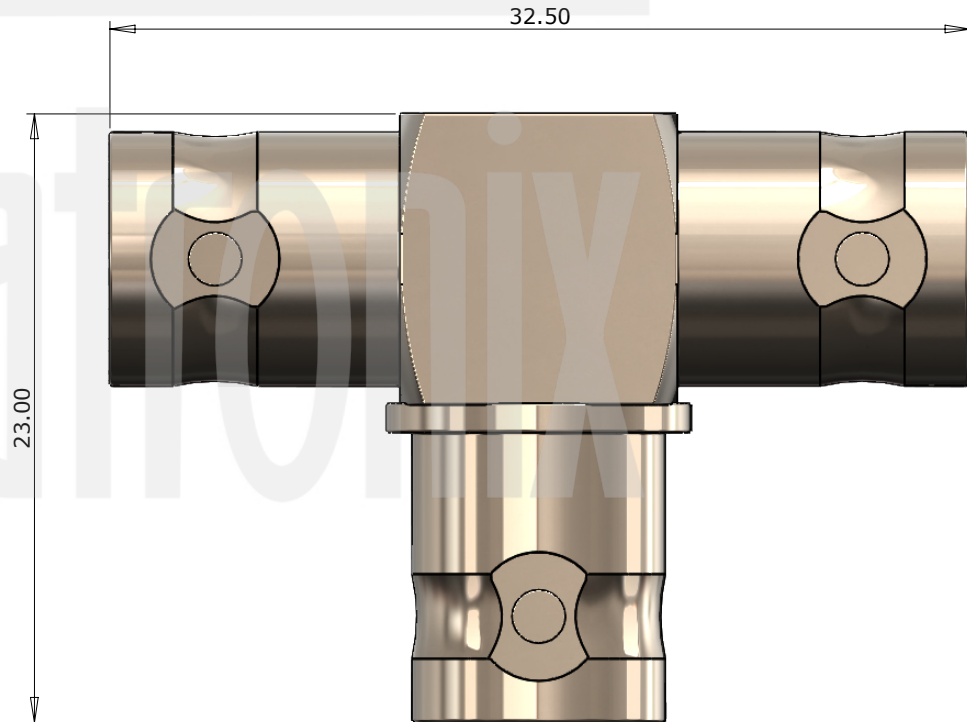
Fixing Method Not applicable
 Durability 500 mating cycles

2. Environmental

RoHS Compliant Yes
 Temperature Range -55 to +85 degrees C

3. Electrical

Dielectric Withstanding 1500 Volts RMS Maximum
 Impedance 75 ohms
 Interface Frequency 1 GHz
 Working Voltage 500 Volts RMS Maximum



Description	Material	Finish
3 Dielectric	Delrin	White
2 Contact	Brass	Gold
1 Body	Brass	Nickel

Unless otherwise specified tolerances
 0.5-5 = ±0.2
 >5-30 = ±0.4
 >30-120 = ±0.6
 >120-315 = ±1.0
 >315-1000 = ±1.6
 Angles = ±5°
 Units = mm

This document is the confidential property of Gigatronix Limited and may not be copied, reproduced or transmitted to any third party without written authorisation.



Author	PJP
Drawn by	PJP
Drawing date	14/04/2022
Checked by	DB
Checked date	21/04/2022
Scale	Not to scale

Part Number BN10-1010-A06-1
Title: BNC Jack to Jack to Jack Adaptor, Nickel Plated, 75 ohms