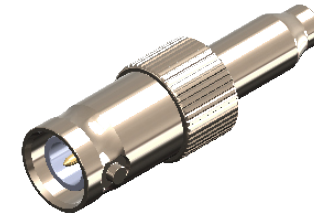


Revisions

Issue	Date	Note
1	16/03/2022	See GTXPDC/444

DATASHEET



1. Mechanical

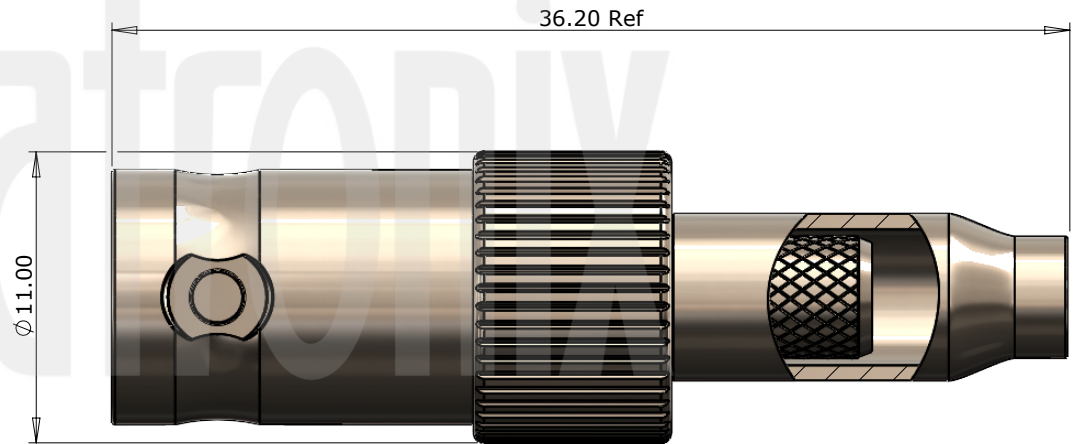
Cable Retention	Equal to breaking strain of cable
Durability	500 mating cycles
Fixing Method	Crimp

2. Environmental

RoHS Compliant	Yes
Temperature Range	-55 to +85 degrees C

3. Electrical

Dielectric Withstanding	1500 Volts RMS Maximum
Impedance	50 ohms
Interface Frequency	4 GHz
Working Voltage	500 Volts RMS Maximum



Description	Material	Finish
5 Insulator	Delrin	White
4 Ferrule	Brass	Nickel
3 Dielectric	Delrin	White
2 Pin	Brass	Gold
1 Body	Brass	Nickel

Unless otherwise specified tolerances
 0.5-5 = ±0.2
 >5-30 = ±0.4
 >30-120 = ±0.6
 >120-315 = ±1.0
 >315-1000 = ±1.6
 Angles = ±5°
 Units = mm

This document is the confidential property of Gigatronix Limited and may not be copied, reproduced or transmitted to any third party without written authorisation.



Author	PJP
Drawn by	PJP
Drawing date	16/03/2022
Checked by	DB
Checked date	21/03/2022
Scale	Not to scale

Part Number	BN10-0174-C06-1-R
Title:	BNC Reverse Polarity Crimp Jack, Nickel Plated, RG174, LBC100, RG316

Revisions

Issue	Date	Note
1	16/03/2022	See GTXPDC/444

ASSEMBLY INSTRUCTIONS

Assembly Instructions:

1) Slide the ferrule onto the cable and strip the cable to the dimensions as shown, taking care not to nick the centre conductor or braid



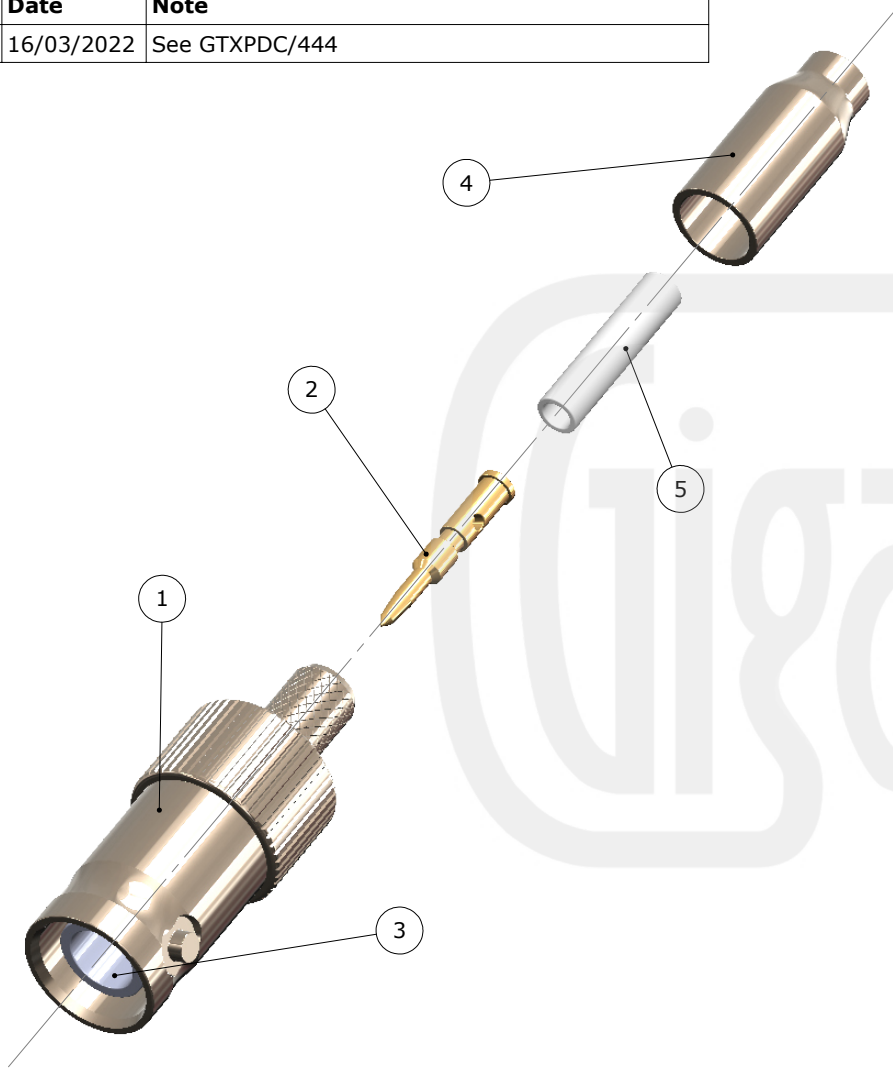
2) Open the cable braid and slide the insulator tube over the dielectric but under the braid. Crimp the pin onto the centre core and then slide the pin into the body until it captivates, ensuring that the cable braid is on the outside of the connector mandril.

3) Slide the ferrule forward and crimp



Crimp Hex. Sizes:
5.41mm Hex., 1.69mm Hex

Strip Dimensions:
A=12.0mm, B=3.0mm, C=3.0mm



Description	Material	Finish
5 Insulator	Delrin	White
4 Ferrule	Brass	Nickel
3 Dielectric	Delrin	White
2 Pin	Brass	Gold
1 Body	Brass	Nickel

Unless otherwise specified tolerances
 0.5-5 = ±0.2
 >5-30 = ±0.4
 >30-120 = ±0.6
 >120-315 = ±1.0
 >315-1000 = ±1.6
 Angles = ±5°
 Units = mm

This document is the confidential property of Gigatronix Limited and may not be copied, reproduced or transmitted to any third party without written authorisation.



Author	PJP
Drawn by	PJP
Drawing date	16/03/2022
Checked by	DB
Checked date	21/03/2022
Scale	Not to scale

Part Number BN10-0174-C06-1-R
Title: BNC Reverse Polarity Crimp Jack, Nickel Plated, RG174, LBC100, RG316