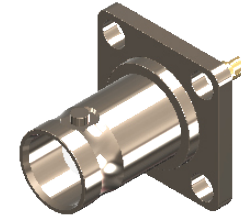


Revisions

Issue	Date	Note
1	08/04/2022	See note GTXPDC/471

DATASHEET



1. Mechanical

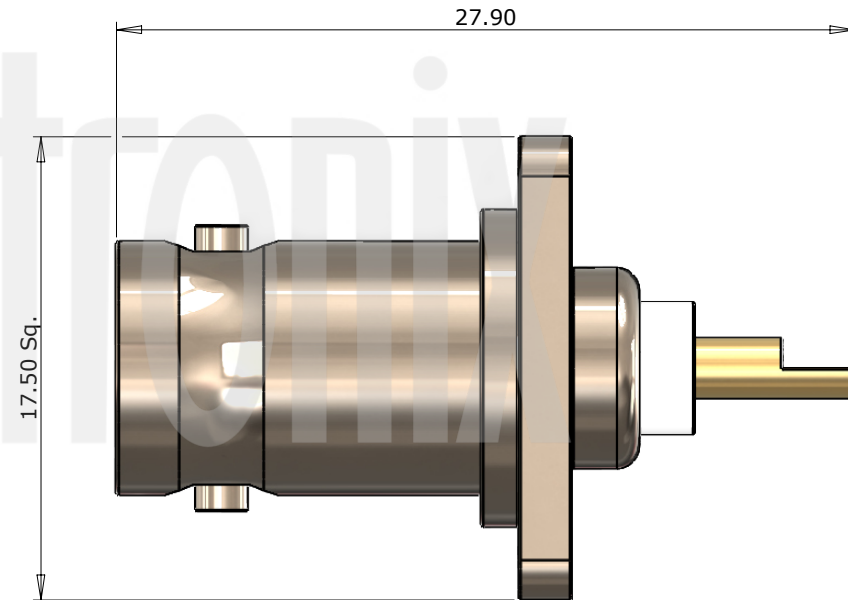
Fixing Method Panel
 Durability 500 mating cycles

2. Environmental

RoHS Compliant Yes
 Temperature Range -65 to +165 degrees C

3. Electrical

Dielectric Withstanding 1500 Volts RMS Maximum
 Impedance 50 ohms
 Interface Frequency 4 GHz
 Working Voltage 500 Volts RMS Maximum



3	Dielectric	PTFE	White
2	Contact	Brass	Gold
1	Body	Brass	Nickel
	Description	Material	Finish

Unless otherwise specified tolerances
 0.5-5 = ±0.2
 >5-30 = ±0.4
 >30-120 = ±0.6
 >120-315 = ±1.0
 >315-1000 = ±1.6
 Angles = ±5°
 Units = mm

This document is the confidential property of Gigatronix Limited and may not be copied, reproduced or transmitted to any third party without written authorisation.



Author	PJP
Drawn by	PJP
Drawing date	08/04/2022
Checked by	DB
Checked date	08/04/2022
Scale	Not to scale

Part Number BN06-X001-N06-2
Title: BNC Flange Jack, Solder Receptacle, Nickel Plated, PTFE Dielectric, 50 ohms