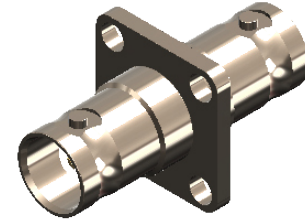


**Revisions**

Issue	Date	Note
1	07/04/2022	See note GTXPDC/469

**DATASHEET**



**1. Mechanical**

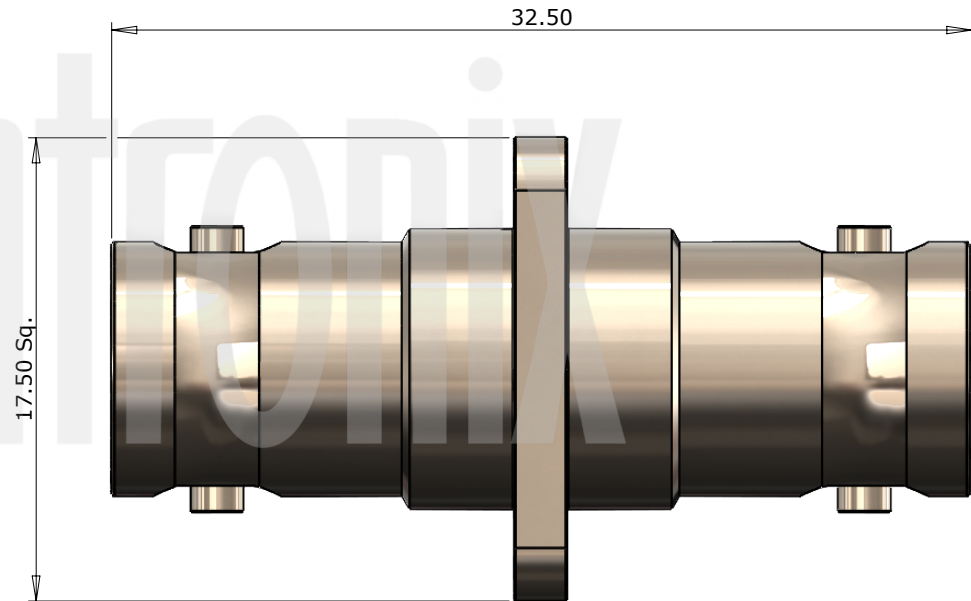
Fixing Method                      Panel  
 Durability                            500 mating cycles

**2. Environmental**

RoHS Compliant                    Yes  
 Temperature Range                -55 to +85 degrees C

**3. Electrical**

Dielectric Withstanding            1500 Volts RMS Maximum  
 Impedance                            50 ohms  
 Interface Frequency                4 GHz  
 Working Voltage                    500 Volts RMS Maximum



3	Dielectric	Delrin	White
2	Contact	Phosphor Bronze	Gold
1	Body	Brass	Nickel
	<b>Description</b>	<b>Material</b>	<b>Finish</b>

Unless otherwise specified tolerances  
 0.5-5 = ±0.2  
 >5-30 = ±0.4  
 >30-120 = ±0.6  
 >120-315 = ±1.0  
 >315-1000 = ±1.6  
 Angles = ±5°  
 Units = mm

This document is the confidential property of Gigatronix Limited and may not be copied, reproduced or transmitted to any third party without written authorisation.



<b>Author</b>	PJP
<b>Drawn by</b>	PJP
<b>Drawing date</b>	07/04/2022
<b>Checked by</b>	DB
<b>Checked date</b>	07/04/2022
<b>Scale</b>	Not to scale

<b>Part Number</b>	BN06-10-A06
<b>Title:</b>	BNC Flange Mount Bulkhead Jack to Jack Adaptor, Nickel Plated, 50 ohms