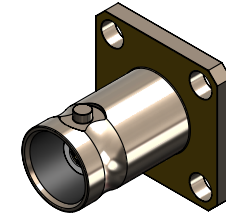


Revisions

Issue	Date	Note
2	08/08/2023	See GTXPDC/819

DATASHEET



1. Mechanical

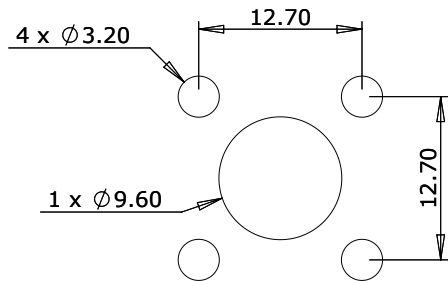
Cable Retention	136N
Durability	500 mating cycles
Contact Retention	27N
Fixing Method	Solder

2. Environmental

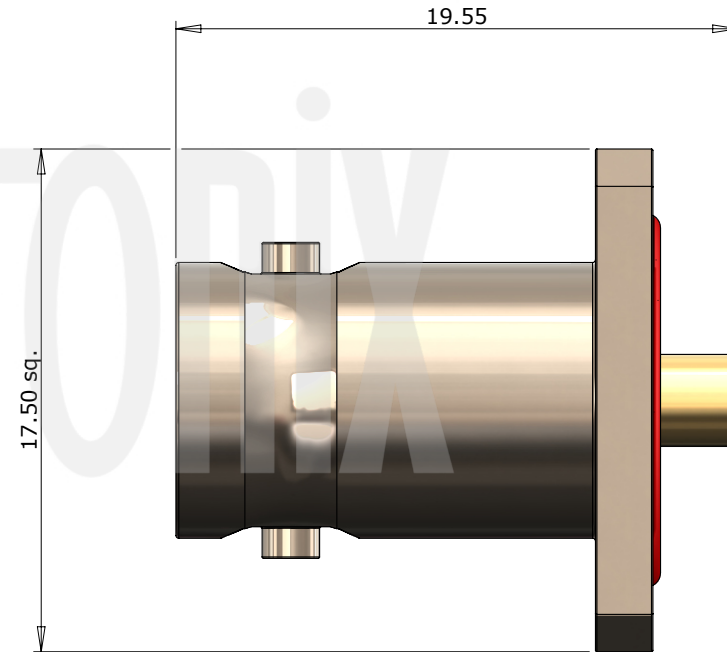
RoHS Compliant	Yes
Temperature Range	-65 to +165 degrees C

3. Electrical

Dielectric Withstanding	1500 Volts RMS Maximum
Impedance	50 ohms
Interface Frequency	4 GHz
Working Voltage	500 Volts RMS Maximum



Panel Cut Out



Description	Material	Finish
4 O Ring	Silicone	Red
3 Dielectric	PTFE	White
2 Contact	Phosphor Bronze	Gold
1 Body	Brass	Nickel

Unless otherwise specified tolerances
 0.5-5 = ±0.2
 >5-30 = ±0.4
 >30-120 = ±0.6
 >120-315 = ±1.0
 >315-1000 = ±1.6
 Angles = ±5°
 Units = mm

This document is the confidential property of Gigatronix Limited and may not be copied, reproduced or transmitted to any third party without written authorisation.



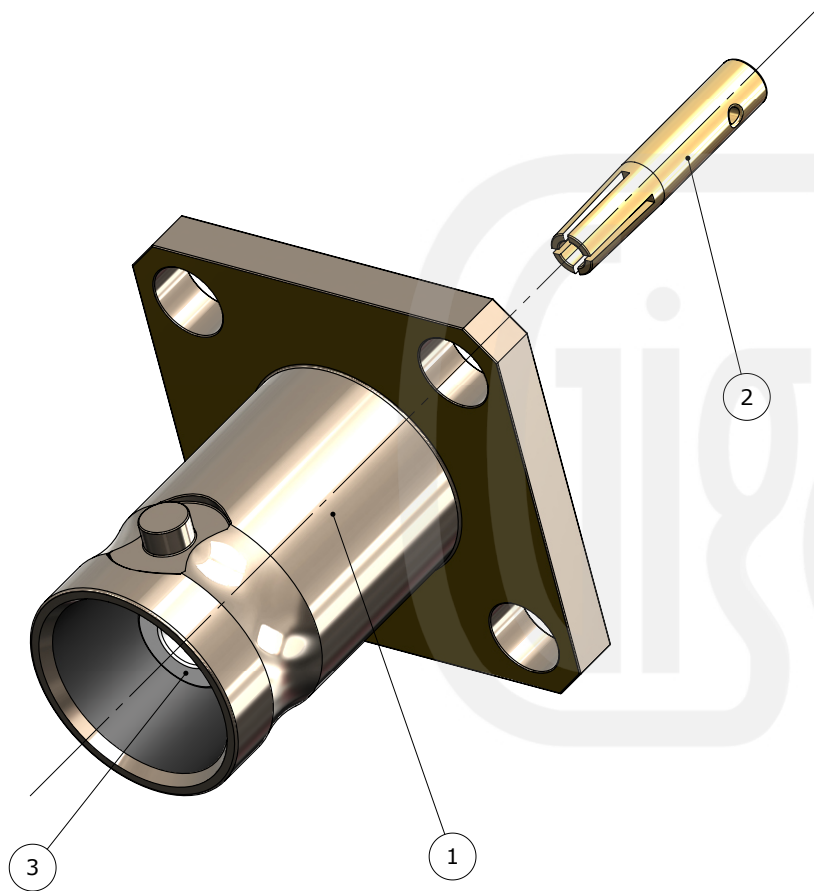
Author	PJP
Drawn by	PJP
Drawing date	06/07/2023
Checked by	DB
Checked date	06/07/2023
Scale	Not to scale

Part Number	BN06-0405-R06-2
Title:	BNC Flange Jack, Nickel Plated, PTFE Dielectric, RG405, .085 Semi Rigid

Revisions

Issue	Date	Note
2	08/08/2023	See GTXPDC/819

ASSEMBLY INSTRUCTIONS



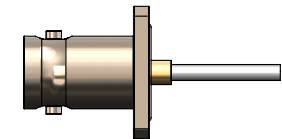
Assembly Instructions:

1) Strip the cable to the dimensions as shown, taking care not to nick the centre core.

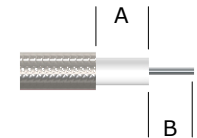


2) Using a 0.7mm spacer, solder the contact onto the centre core and then slide it into the body, ensuring that the contact is fully located.

3) Solder the outer shield of the cable to the connector mandril.



Strip Dimensions:
A=0.0mm, B=3.5mm



4	O Ring	Silicone	Red
3	Dielectric	PTFE	White
2	Contact	Phosphor Bronze	Gold
1	Body	Brass	Nickel
	Description	Material	Finish

Unless otherwise specified tolerances
 0.5-5 = ±0.2
 >5-30 = ±0.4
 >30-120 = ±0.6
 >120-315 = ±1.0
 >315-1000 = ±1.6
 Angles = ±5°
 Units = mm

This document is the confidential property of Gigatronix Limited and may not be copied, reproduced or transmitted to any third party without written authorisation.



Author	PJP
Drawn by	PJP
Drawing date	06/07/2023
Checked by	DB
Checked date	06/07/2023
Scale	Not to scale

Part Number	BN06-0405-R06-2
Title:	BNC Flange Jack, Nickel Plated, PTFE Dielectric, RG405, .085 Semi Rigid