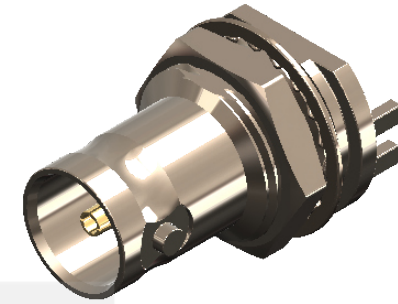


Revisions

Issue	Date	Note
1	09/12/2022	See GTXPDC/624



1. Mechanical

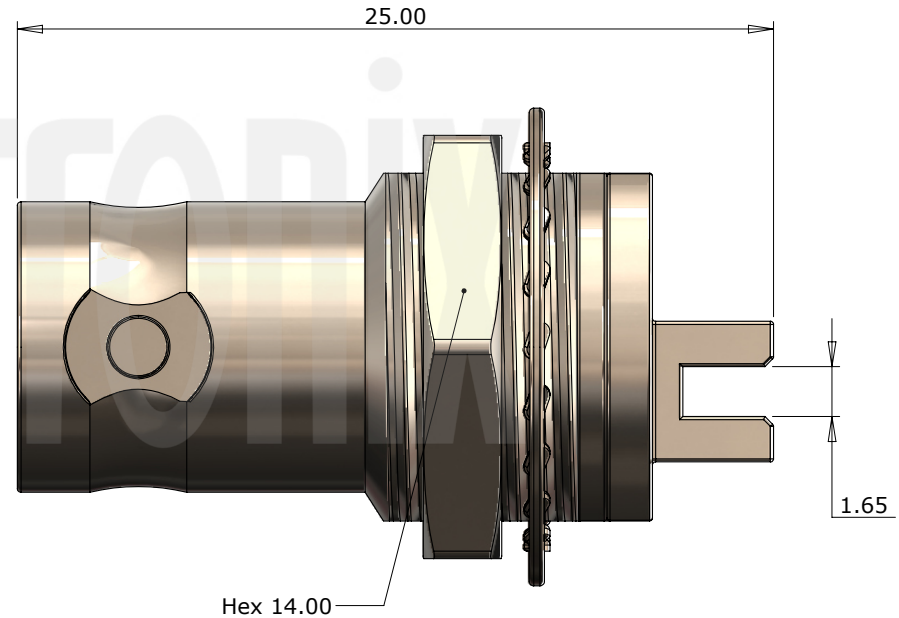
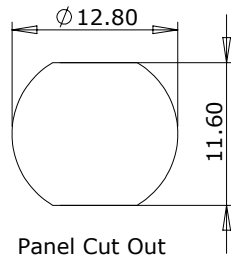
Cable Retention PCB
 Durability 500 mating cycles
 Lock Nut Torque 4.0 - 4.5Nm (35-40 in-lbs)

2. Environmental

RoHS Compliant Yes
 Temperature Range -65 to +165 degrees C

3. Electrical

Dielectric Withstanding 1500 Volts RMS Maximum
 Impedance 75 ohms
 Interface Frequency 12 GHz
 Working Voltage 500 Volts RMS Maximum



5	Lock Nut	Brass	Nickel
4	Washer	SS41	Nickel
3	Insulator	PTFE	White
2	Contact	Beryllium Copper	Gold
1	Body	Brass	Nickel
	Description	Material	Finish

Unless otherwise specified tolerances
 0.5-6 = ±0.2
 >6-30 = ±0.4
 >30-120 = ±0.6
 >120-315 = ±1.0
 >315-1000 = ±1.6
 Angles = ±5°
 Units = mm

This document is the confidential property of Gigatronix Limited and may not be copied, reproduced or transmitted to any third party without written authorisation.



Part Number BN02-X800-N06-27

Title: BNC 12G SDI End Launch Bulkhead Jack, Nickel Plated, PTFE Dielectric, 75 ohms

Author	PJP
Drawn by	PJP
Drawing date	09/12/2022
Checked by	DB
Checked date	09/12/2022
Scale	Not to scale