

Revisions

Issue	Date	Note
4	12/01/2022	See GTXPDC/387 - checked DB 13/01/2022

DATASHEET



1. Mechanical

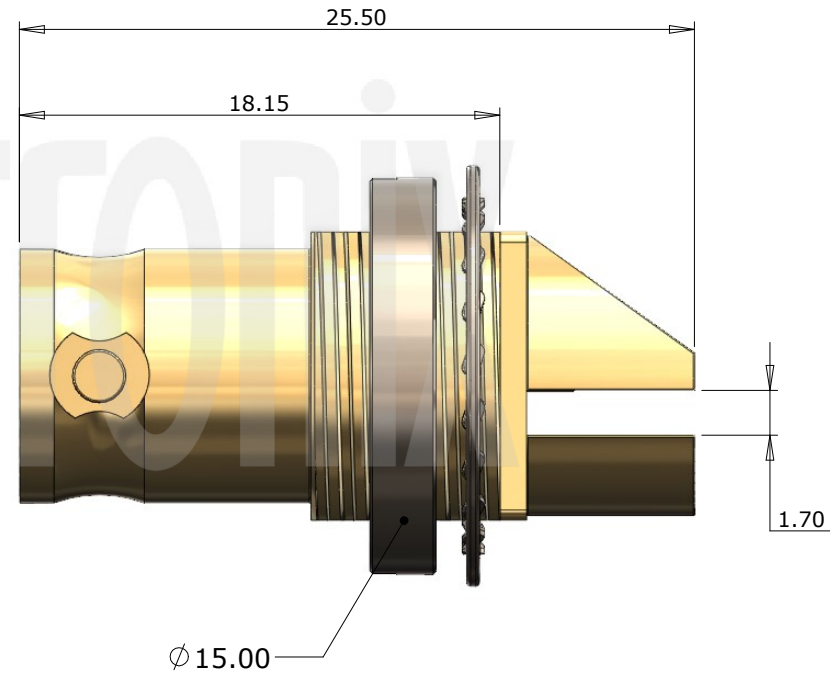
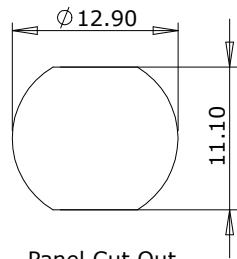
Cable Retention	PCB
Durability	500 mating cycles
Lock Nut Torque	4.0 - 4.5Nm (35-40 in-lbs)

2. Environmental

RoHS Compliant	Yes
Temperature Range	-65 to +165 degrees C

3. Electrical

Dielectric Withstanding	1500 Volts RMS Maximum
Impedance	50 ohms
Interface Frequency	12 GHz
Working Voltage	500 Volts RMS Maximum



Description	Material	Finish
5 Lock Nut	Brass	Nickel
4 Washer	S50C	Nickel
3 Insulator	PTFE	White
2 Contact	Phosphor Bronze	Gold
1 Body	Zinc Alloy	Gold

Unless otherwise specified tolerances
 0.5-6 = ±0.2
 >6-30 = ±0.4
 >30-120 = ±0.6
 >120-315 = ±1.0
 >315-1000 = ±1.6
 Angles = ±5°
 Units = mm

This document is the confidential property of Gigatronix Limited and may not be copied, reproduced or transmitted to any third party without written authorisation.



Author	PJP
Drawn by	PJP
Drawing date	10/07/2018
Checked by	PP
Checked date	04/10/2018
Scale	Not to scale

Part Number BN02-X800-N01-Z
Title: BNC HDTV 12G SDI End Launch Bulkhead Jack, Gold Plated, 75 ohms, Circular Nut