

**Revisions**

Issue	Date	Note
8	20/09/2022	See GTXPCD/586 - checked DB 20/09/2022

**DATASHEET**

**1. Mechanical**

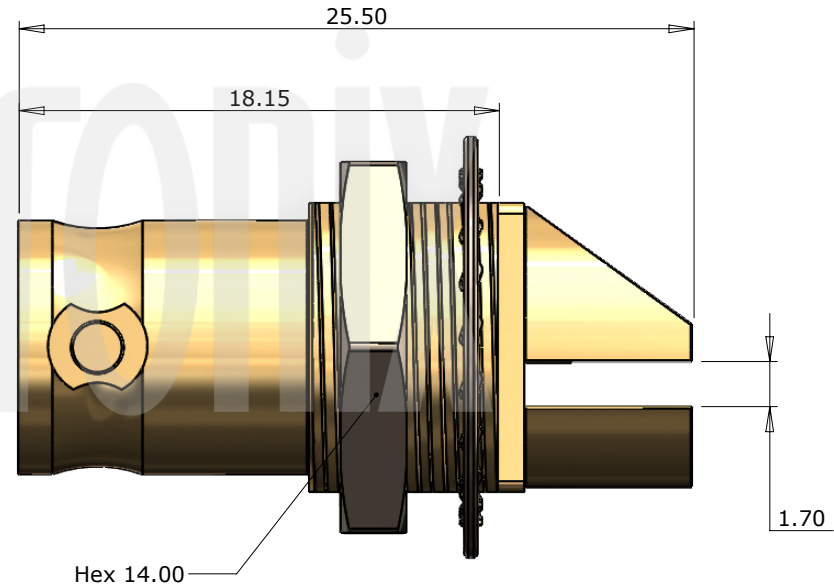
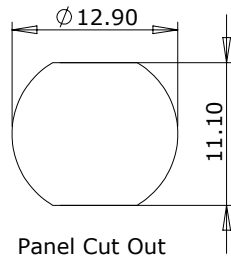
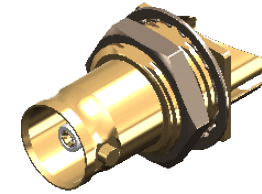
Cable Retention	PCB
Durability	500 mating cycles
Lock Nut Torque	4.0 - 4.5Nm (35-40 in-lbs)

**2. Environmental**

RoHS Compliant	Yes
Temperature Range	-65 to +165 degrees C

**3. Electrical**

Dielectric Withstanding Impedance	1500 Volts RMS Maximum
Interface Frequency	75 ohms
Working Voltage	12 GHz
	500 Volts RMS Maximum



Description	Material	Finish
5 Lock Nut	Brass	Nickel
4 Washer	S50C	Nickel
3 Insulator	PTFE	White
2 Contact	Phosphor Bronze	Gold
1 Body	Zinc Alloy	Gold

Unless otherwise specified tolerances  
 0.5-6 = ±0.2  
 >6-30 = ±0.4  
 >30-120 = ±0.6  
 >120-315 = ±1.0  
 >315-1000 = ±1.6  
 Angles = ±5°  
 Units = mm

This document is the confidential property of Gigatronix Limited and may not be copied, reproduced or transmitted to any third party without written authorisation.



<b>Author</b>	PJP
<b>Drawn by</b>	PJP
<b>Drawing date</b>	30/08/2013
<b>Checked by</b>	PP
<b>Checked date</b>	04/10/2018
<b>Scale</b>	Not to scale

**Part Number** BN02-X800-N01-17  
**Title:** BNC 12G SDI End Launch Bulkhead Jack, Gold Plated, 1.57mm PCB, Hex. Locknut