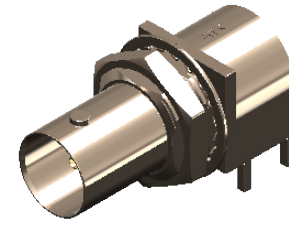


Revisions

Issue	Date	Note
3	06/12/2022	See GTXPDC/620 - checked DB 08/12/2022

DATASHEET



1. Mechanical

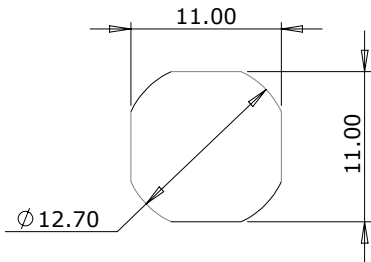
Fixing Method	PCB
Durability	500 mating cycles
Lock Nut Torque	4.0 - 4.5Nm (35-40 in-lbs)

2. Environmental

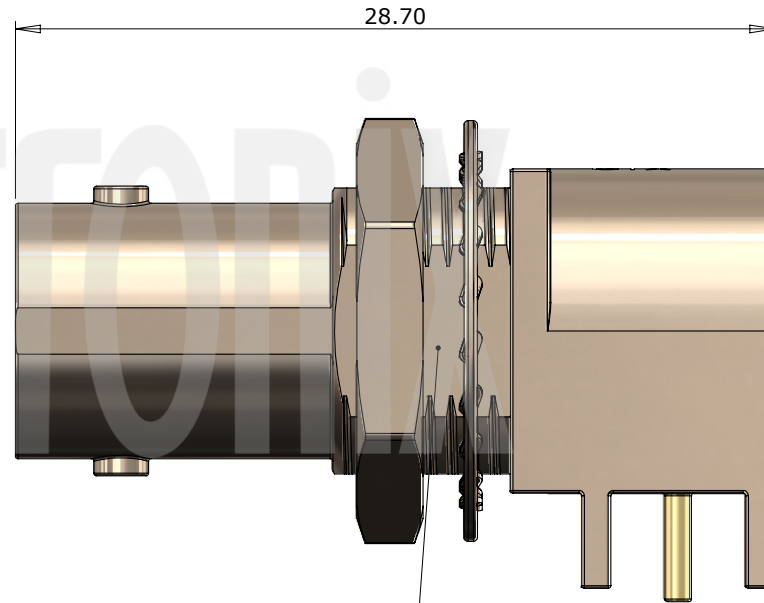
RoHS Compliant	Yes
Temperature Range	-40 to +85 degrees C

3. Electrical

Dielectric Withstanding	1000 Volts RMS Maximum
Impedance	75 ohms
Interface Frequency	12 GHz
Working Voltage	500 Volts RMS Maximum



Panel Cut Out



4 x flats 10.80 A/F

Description	Material	Finish
5 Lock Nut	Brass	Nickel
4 Washer	Steel	Nickel
3 Insulator	TPX	Clear
2 Contact	Phosphor Bronze	Gold
1 Body	Zinc Alloy	Nickel

Unless otherwise specified tolerances
 0.5-6 = ±0.2
 >6-30 = ±0.4
 >30-120 = ±0.6
 >120-315 = ±1.0
 >315-1000 = ±1.6
 Angles = ±5°
 Units = mm

This document is the confidential property of Gigatronix Limited and may not be copied, reproduced or transmitted to any third party without written authorisation.



Author	P. Patterson
Drawn by	P. Patterson
Drawing date	29/08/2013
Checked by	T. Mullins
Checked date	29/09/2013
Scale	Not to scale

Part Number BN02-X662-N06-Z
Title: BNC 12G SDI Right Angle PCB Bulkhead Jack, Nickel Plated, PCI Express, Hex. Nut