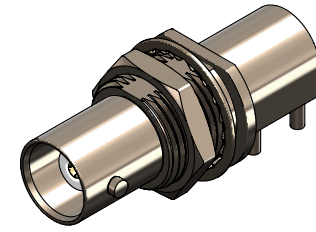


Revisions

Issue	Date	Note
1	04/08/2023	See GTXPDC/818

DATASHEET



1. Mechanical

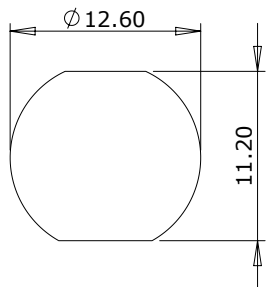
Fixing Method PCB
 Durability 500 mating cycles

2. Environmental

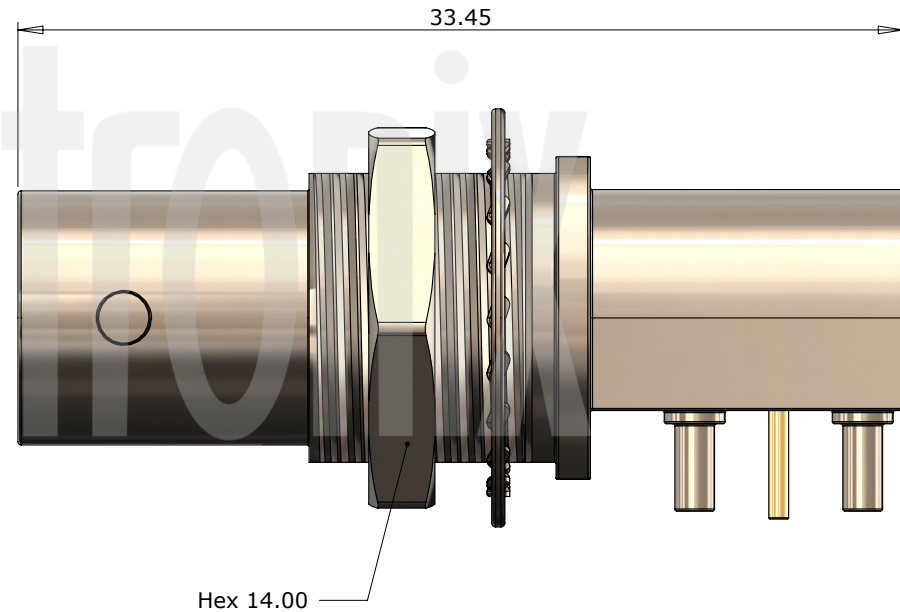
RoHS Compliant Yes
 Temperature Range -55 to +85 degrees C

3. Electrical

Dielectric Withstanding 1500 Volts RMS Maximum
 Impedance 50 ohms
 Interface Frequency 4 GHz
 Working Voltage 500 Volts RMS Maximum



Panel Cut Out



Hex 14.00

5	Washer	Steel	Nickel
4	Lock Nut	Brass	Nickel
3	Dielectric	TPX	White
2	Contact	Phosphor Bronze	Gold
1	Body	Zinc Alloy	Nickel
	Description	Material	Finish

Unless otherwise specified tolerances
 0.5-5 = ±0.2
 >5-30 = ±0.4
 >30-120 = ±0.6
 >120-315 = ±1.0
 >315-1000 = ±1.6
 Angles = ±5°
 Units = mm

This document is the confidential property of Gigatronix Limited and may not be copied, reproduced or transmitted to any third party without written authorisation.



Author	PJP
Drawn by	PJP
Drawing date	04/08/2023
Checked by	DB
Checked date	07/08/2023
Scale	Not to scale

Part Number BN02-X600-N11-4
Title: BNC Shielded Right Angle PCB Mount Jack, Nickel Plated, 50 ohms, Extra Low Profile