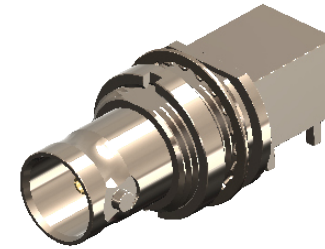


Revisions

Issue	Date	Note
1	22/06/2022	See GTXPDC/527

DATASHEET



1. Mechanical

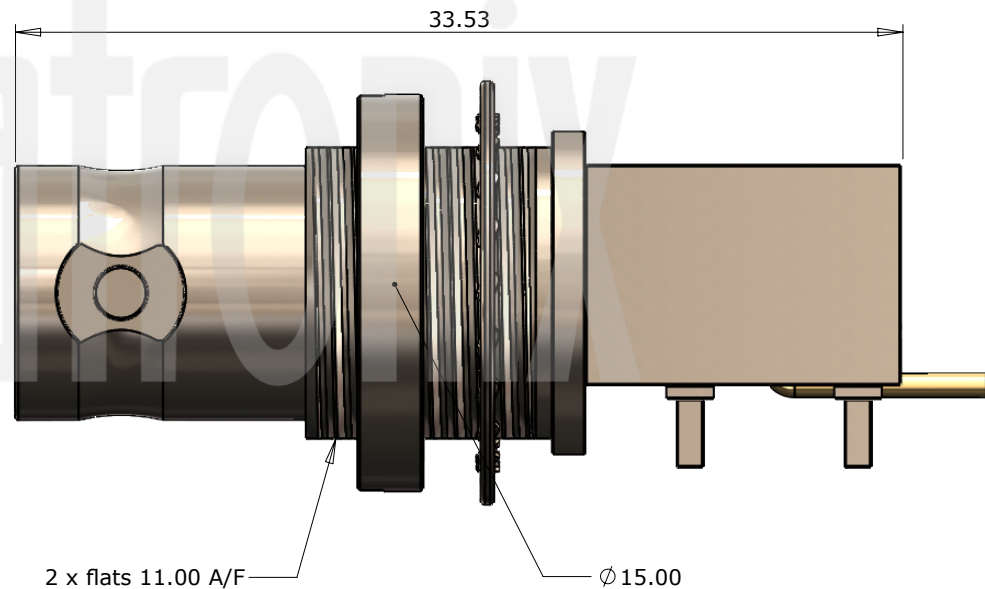
Durability 500 mating cycles
 Fixing Method PCB

2. Environmental

RoHS Compliant Yes
 Temperature Range -65 to +165 degrees C

3. Electrical

Dielectric Withstanding 1500 Volts RMS Maximum
 Impedance 75 ohms
 Interface Frequency 12 GHz
 Working Voltage 500 Volts RMS Maximum



6	Washer	Brass	Nickel
5	Lock Nut	Brass	Nickel
4	Dielectric	PTFE	White
3	Rear Contact	Brass	Gold
2	Contact	Phosphor Bronze	Gold
1	Body	Brass	Nickel
	Description	Material	Finish

Unless otherwise specified tolerances
 0.5-5 = ±0.2
 >5-30 = ±0.4
 >30-120 = ±0.6
 >120-315 = ±1.0
 >315-1000 = ±1.6
 Angles = ±5°
 Units = mm

This document is the confidential property of Gigatronix Limited and may not be copied, reproduced or transmitted to any third party without written authorisation.



Author	PJP
Drawn by	PJP
Drawing date	22/06/2022
Checked by	DB
Checked date	23/06/2022
Scale	Not to scale

Part Number BN02-X600-N06-27
Title: BNC 12G SDI Right Angle PCB Mount Bulkhead Jack, Surface Mount Centre Contact, Nickel Plated