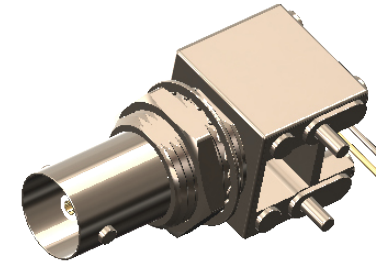


**Revisions**

Issue	Date	Note
1	30/03/2022	See note GTXPDC/460

**DATASHEET**



**1. Mechanical**

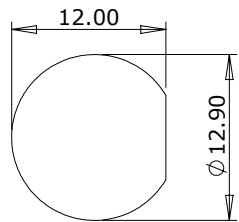
Fixing Method                      PCB  
 Durability                            500 mating cycles

**2. Environmental**

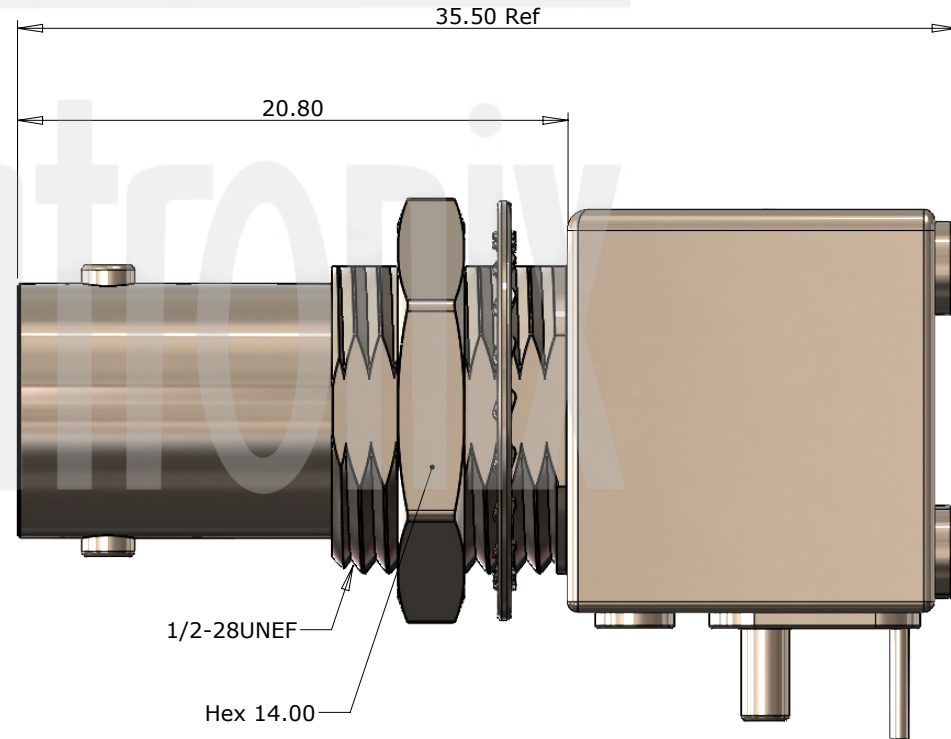
RoHS Compliant                    Yes  
 Temperature Range               -55 to +85 degrees C

**3. Electrical**

Dielectric Withstanding           1500 Volts RMS Maximum  
 Impedance                            75 ohms  
 Interface Frequency                1 GHz  
 Working Voltage                    500 Volts RMS Maximum



Panel Cut Out



7	Grounding terminal	Copper	Tin
6	Mounting Post	Brass	Tin
5	Washer	Steel	Nickel
4	Lock Nut	Brass	Nickel
3	Dielectric	PE-606	White
2	Contact	Phosphor Bronze	Gold
1	Body	Zinc Alloy	Nickel
	<b>Description</b>	<b>Material</b>	<b>Finish</b>

Unless otherwise specified tolerances  
 0.5-5 = ±0.2  
 >5-30 = ±0.4  
 >30-120 = ±0.6  
 >120-315 = ±1.0  
 >315-1000 = ±1.6  
 Angles = ±5°  
 Units = mm

This document is the confidential property of Gigatronix Limited and may not be copied, reproduced or transmitted to any third party without written authorisation.



<b>Author</b>	PJP
<b>Drawn by</b>	PJP
<b>Drawing date</b>	30/03/2022
<b>Checked by</b>	DB
<b>Checked date</b>	04/04/2022
<b>Scale</b>	2 : 1

**Part Number**    BN02-X600-N06-1  
**Title:**    BNC Shielded Right Angle PCB Mount Jack, Nickel Plated, 75 ohms