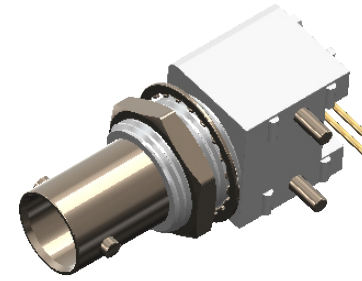


Revisions

Issue	Date	Note
1	29/03/2022	See note GTXPDC/458



1. Mechanical

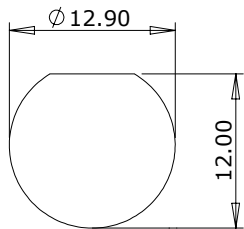
Fixing Method PCB
 Durability 500 mating cycles

2. Environmental

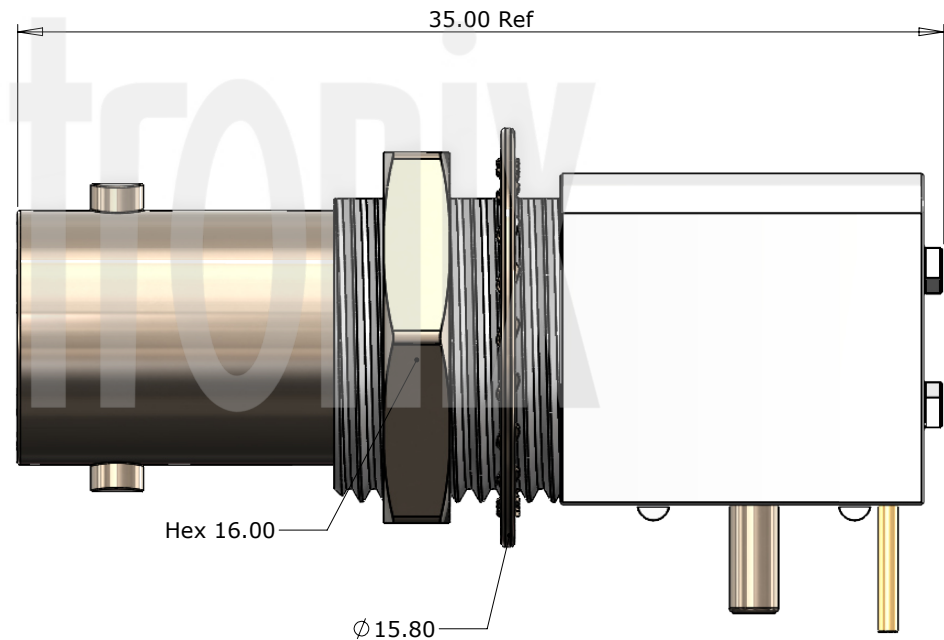
RoHS Compliant Yes
 Temperature Range -55 to +85 degrees C

3. Electrical

Dielectric Withstanding 1500 Volts RMS Maximum
 Impedance 75 ohms
 Interface Frequency 1 GHz
 Working Voltage 500 Volts RMS Maximum



Panel Cut Out



Description	Material	Finish
5 Washer	Brass	Nickel
4 Lock Nut	Brass	Nickel
3 Dielectric	PE-606	White
2 Contact	Phosphor Bronze	Gold
1 Body	Zinc Alloy/PBT	Nickel/White

Unless otherwise specified tolerances
 0.5-5 = ±0.2
 >5-30 = ±0.4
 >30-120 = ±0.6
 >120-315 = ±1.0
 >315-1000 = ±1.6
 Angles = ±5°
 Units = mm

This document is the confidential property of Gigatronix Limited and may not be copied, reproduced or transmitted to any third party without written authorisation.



Author	PJP
Drawn by	PJP
Drawing date	29/03/2022
Checked by	DB
Checked date	05/04/2022
Scale	Not to scale

Part Number	BN02-X170-N06-3
Title: BNC Insulated Right Angle PCB Mount Jack, Low Profile, 75 ohms	