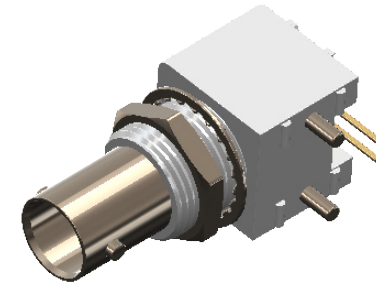


**Revisions**

Issue	Date	Note
1	28/03/2022	See note GTXPDC/457



**1. Mechanical**

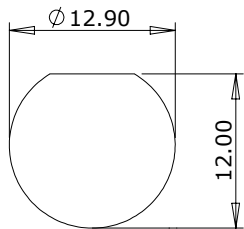
Fixing Method PCB  
 Durability 500 mating cycles

**2. Environmental**

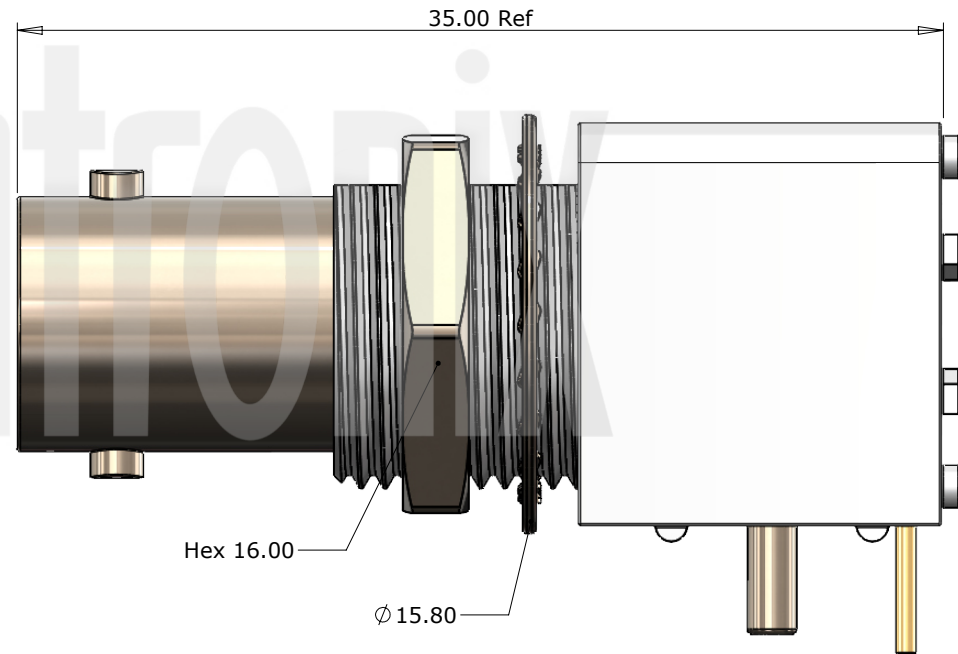
RoHS Compliant Yes  
 Temperature Range -55 to +85 degrees C

**3. Electrical**

Dielectric Withstanding 1500 Volts RMS Maximum  
 Impedance 75 ohms  
 Interface Frequency 1 GHz  
 Working Voltage 500 Volts RMS Maximum



Panel Cut Out



Description	Material	Finish
5 Washer	Brass	Nickel
4 Lock Nut	Brass	Nickel
3 Dielectric	PE-606	White
2 Contact	Phosphor Bronze	Gold
1 Body	Zinc Alloy/PBT	Nickel/White

Unless otherwise specified tolerances  
 0.5-5 = ±0.2  
 >5-30 = ±0.4  
 >30-120 = ±0.6  
 >120-315 = ±1.0  
 >315-1000 = ±1.6  
 Angles = ±5°  
 Units = mm

This document is the confidential property of Gigatronix Limited and may not be copied, reproduced or transmitted to any third party without written authorisation.



<b>Author</b>	PJP
<b>Drawn by</b>	PJP
<b>Drawing date</b>	28/03/2022
<b>Checked by</b>	DB
<b>Checked date</b>	29/03/2022
<b>Scale</b>	Not to scale

<b>Part Number</b>	BN02-X170-N06-1
<b>Title:</b> BNC Insulated Right Angle PCB Mount Jack, Standard Height, 75 ohms	