

Revisions

Issue	Date	Note
2	31/10/2022	See GTXPCD/599 - checked DB 31/10/2022

DATASHEET



1. Mechanical

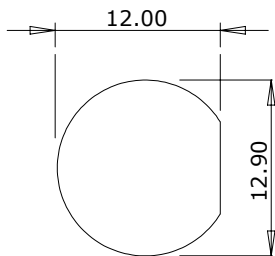
Fixing Method	PCB
Durability	500 mating cycles
Lock Nut Torque	4.0 - 4.5Nm (35-40 in-lbs)

2. Environmental

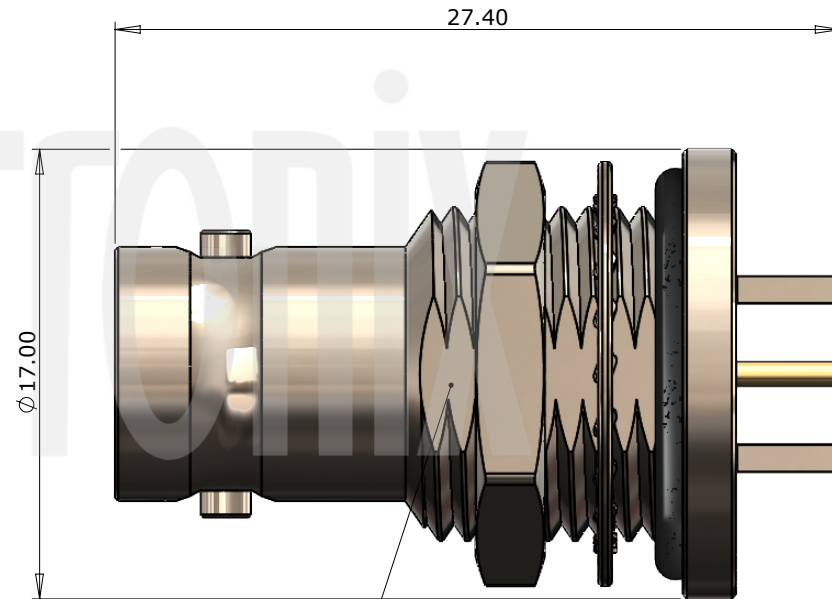
RoHS Compliant	Yes
Temperature Range	-65 to +165 degrees C

3. Electrical

Dielectric Withstanding	1500 Volts RMS Maximum
Impedance	75 ohms
Interface Frequency	12 GHz
Working Voltage	500 Volts RMS Maximum



Panel Cut Out



1 x flat 11.90 A/F

Description	Material	Finish
6 O Ring	Silicone	Black
5 Washer	Phosphor Bronze	Nickel
4 Locknut	Brass	Nickel
3 Dielectric	PTFE	White
2 Contact	Phosphor Bronze	Gold
1 Body	Brass	Nickel

Unless otherwise specified tolerances
 0.5-5 = ±0.2
 >5-30 = ±0.4
 >30-120 = ±0.6
 >120-315 = ±1.0
 >315-1000 = ±1.6
 Angles = ±5°
 Units = mm

This document is the confidential property of Gigatronix Limited and may not be copied, reproduced or transmitted to any third party without written authorisation.



Author	PJP
Drawn by	PJP
Drawing date	13/08/2018
Checked by	DB
Checked date	21/08/2018
Scale	Not to scale

Part Number BN02-X150-N06-Z

Title: BNC 12G SDI Vertical PCB Bulkhead Jack, Nickel Plated, Hex. Nut