

Revisions		
Issue	Date	Note
1	19/03/2025	See GTXPCD/1069

1. Mechanical

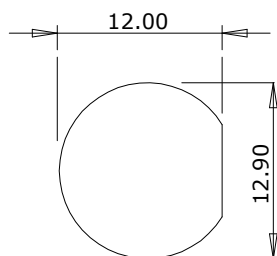
Fixing Method PCB
 Durability 500 mating cycles
 Lock Nut Torque 4.0 - 4.5Nm (35-40 in-lbs)

2. Environmental

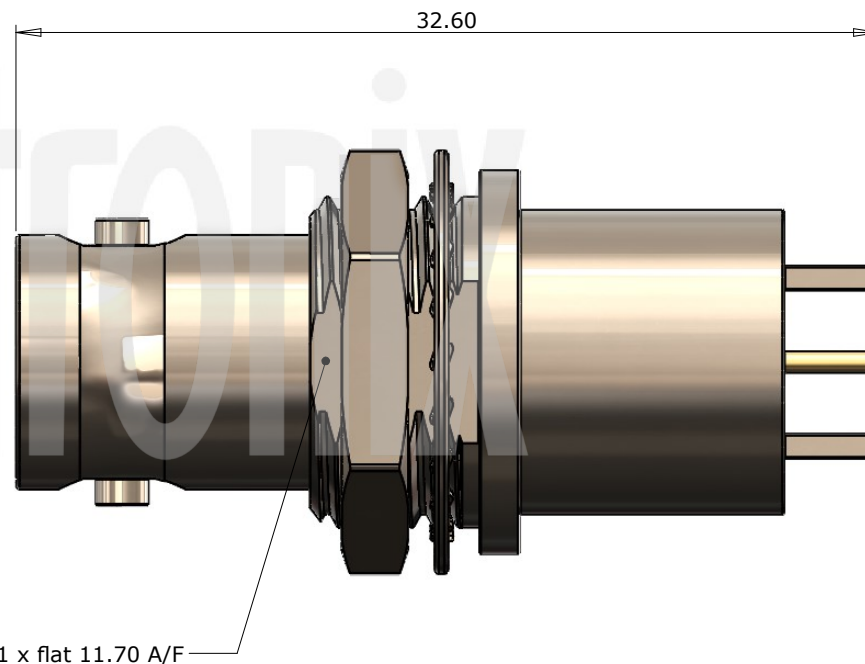
RoHS Compliant Yes
 Temperature Range -65 to +165 degrees C

3. Electrical

Dielectric Withstanding 1500 Volts RMS Maximum
 Impedance 75 ohms
 Interface Frequency 12 GHz
 Working Voltage 500 Volts RMS Maximum



Panel Cut Out



Description	Material	Finish
5 Washer	SK5	Nickel
4 Locknut	Brass	Nickel
3 Dielectric	PTFE	White
2 Contact	Phosphor Bronze	Gold
1 Body	Brass	Nickel

Unless otherwise specified tolerances
 0.5-5 = ±0.2
 >5-30 = ±0.4
 >30-120 = ±0.6
 >120-315 = ±1.0
 >315-1000 = ±1.6
 Angles = ±5°
 Units = mm

This document is the confidential property of Gigatronix Limited and may not be copied, reproduced or transmitted to any third party without written authorisation.



Author	PJP
Drawn by	PJP
Drawing date	19/03/2025
Checked by	DB
Checked date	19/03/2025
Scale	Not to scale

Part Number BN02-X150-N06-Z-2

Title: BNC 12G SDI Vertical PCB Bulkhead Jack, Extended Base, Nickel Plated