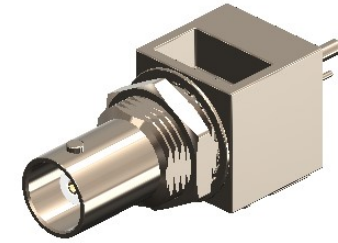


Revisions

Issue	Date	Note
1	19/01/2022	See GTXPDC/396

DATASHEET



1. Mechanical

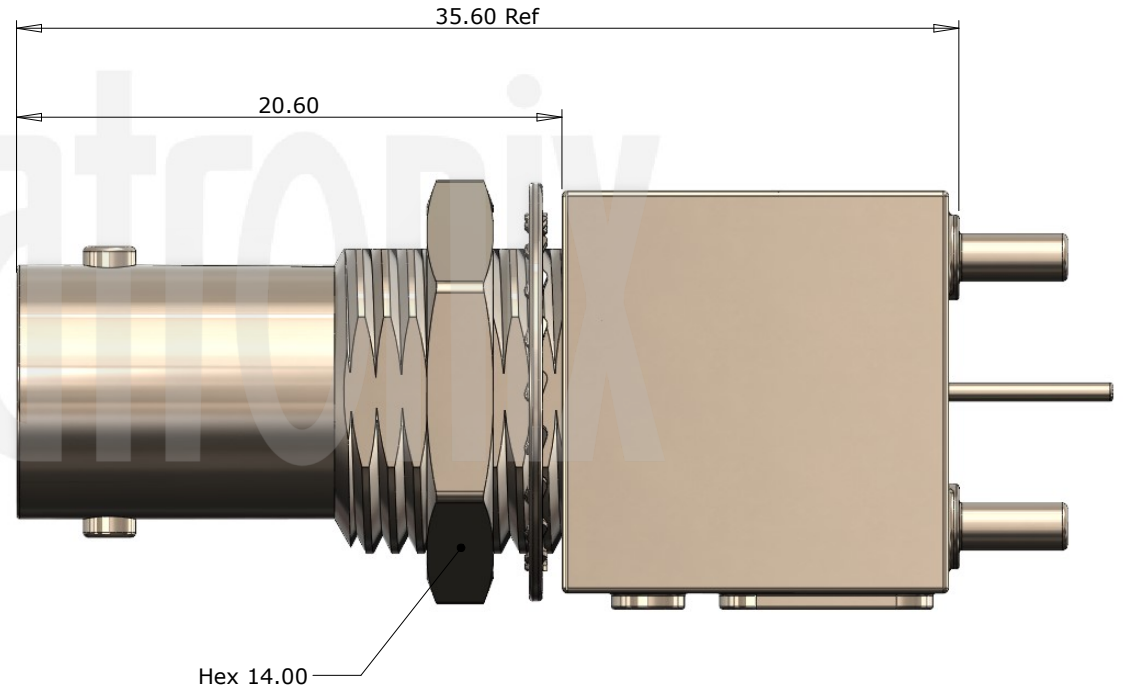
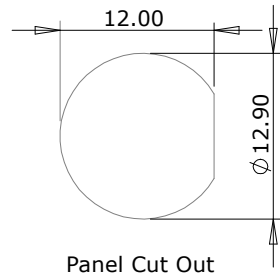
Fixing Method	PCB
Durability	500 mating cycles
Lock Nut Torque	4.0 - 4.5Nm (35-40 in-lbs)

2. Environmental

RoHS Compliant	Yes
Temperature Range	-55 to +85 degrees C

3. Electrical

Dielectric Withstanding	1500 Volts RMS Maximum
Impedance	50 ohms
Interface Frequency	4 GHz
Working Voltage	500 Volts RMS Maximum



Description	Material	Finish
5 Washer	Steel	Nickel
4 Lock Nut	Brass	Nickel
3 Dielectric	PE-606	White
2 Contact	Phosphor Bronze	Gold
1 Body	Zinc Alloy	Nickel

Unless otherwise specified tolerances
 0.5-5 = ±0.2
 >5-30 = ±0.4
 >30-120 = ±0.6
 >120-315 = ±1.0
 >315-1000 = ±1.6
 Angles = ±5°
 Units = mm

This document is the confidential property of Gigatronix Limited and may not be copied, reproduced or transmitted to any third party without written authorisation.



Author	PJP
Drawn by	PJP
Drawing date	19/01/2022
Checked by	DB
Checked date	01/02/2022
Scale	Not to scale

Part Number	BN02-X150-N06
Title:	BNC Shielded Vertical PCB Mount Jack, Nickel Plated, 50 ohms