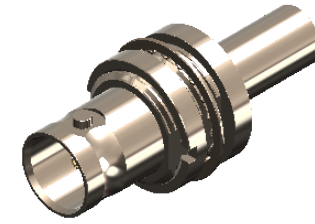


Revisions

Issue	Date	Note
1	25/08/2022	See note GTXPDC/576

DATASHEET



1. Mechanical

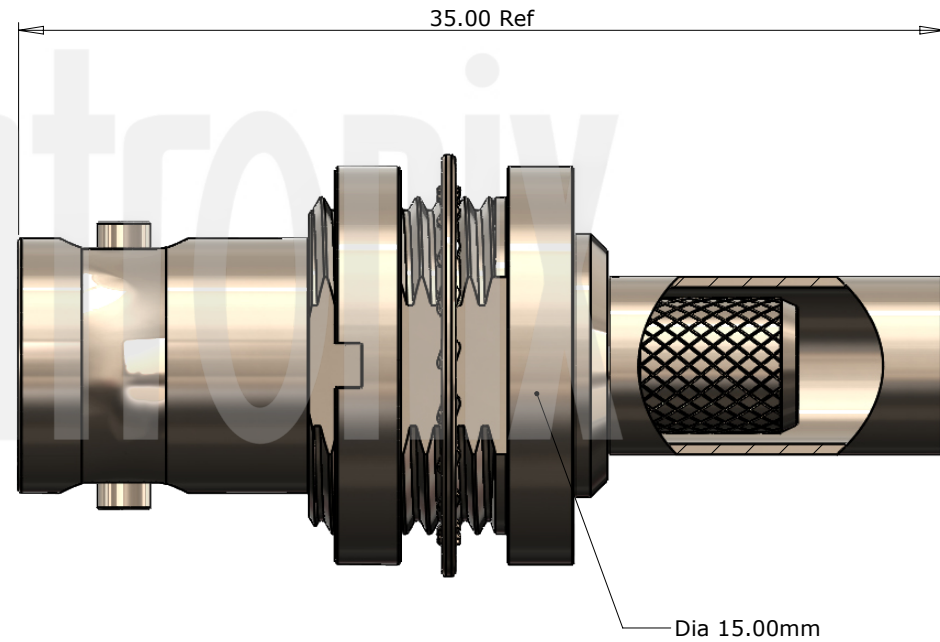
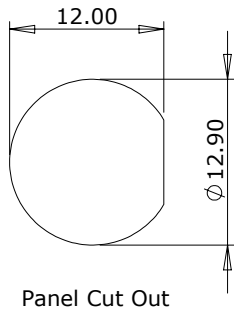
Cable Retention	Equal to breaking strain of cable
Fixing Method	Crimp
Durability	500 mating cycles

2. Environmental

RoHS Compliant	Yes
Temperature Range	-65 to +165 degrees C

3. Electrical

Dielectric Withstanding	1500 Volts RMS Maximum
Impedance	75 ohms
Interface Frequency	12 GHz
Working Voltage	500 Volts RMS Maximum



Description	Material	Finish
6 Lock Nut	Brass	Nickel
5 Washer	FE	Nickel
4 Dielectric	PTFE	White
3 Ferrule	Brass	Nickel
2 Contact	Phosphor Bronze	Gold
1 Body	Brass	Nickel

Unless otherwise specified tolerances
 0.5-5 = ±0.2
 >5-30 = ±0.4
 >30-120 = ±0.6
 >120-315 = ±1.0
 >315-1000 = ±1.6
 Angles = ±5°
 Units = mm

This document is the confidential property of Gigatronix Limited and may not be copied, reproduced or transmitted to any third party without written authorisation.



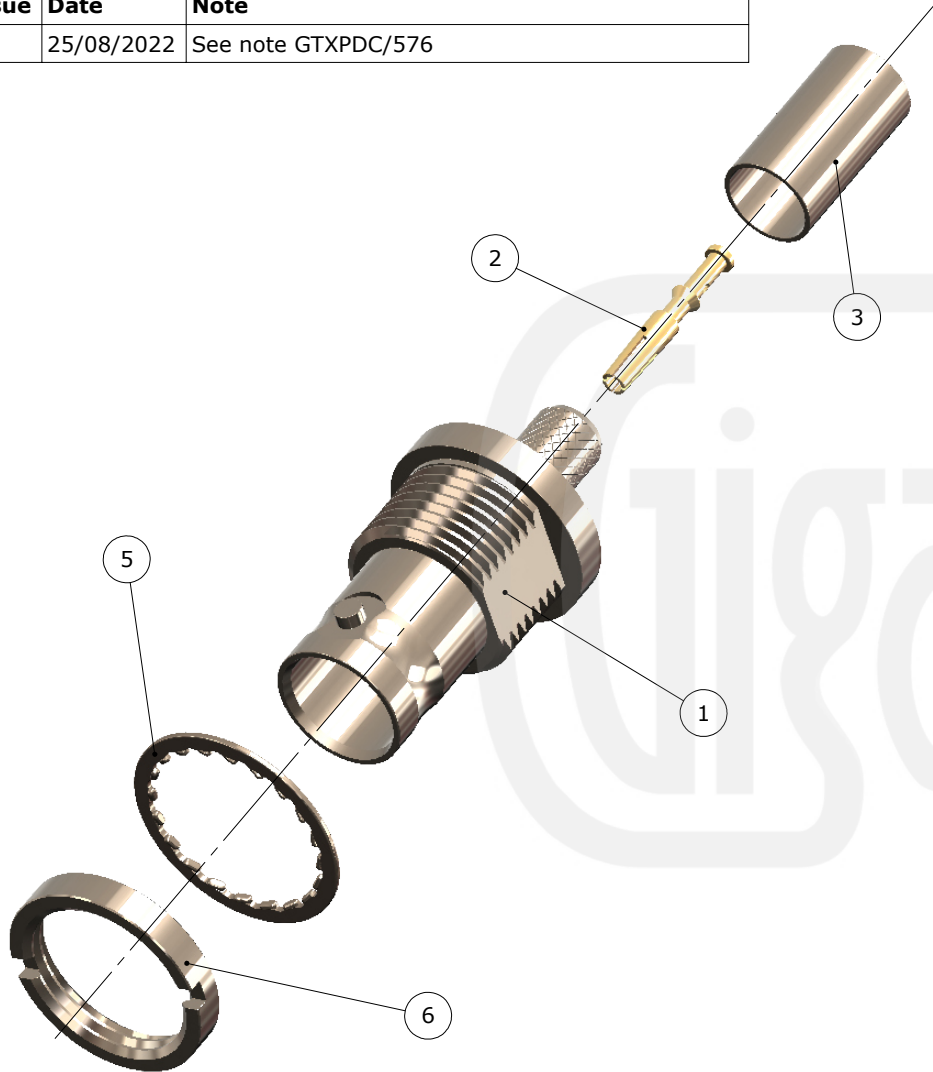
Author	PJP
Drawn by	PJP
Drawing date	25/08/2022
Checked by	DB
Checked date	25/08/2022
Scale	Not to scale

Part Number BN02-3300-C06-Z

Title: BNC 12G SDI Crimp Bulkhead Jack, Circular Flange, Circular Locknut, Canare L-3.3CUHD

Revisions		
Issue	Date	Note
1	25/08/2022	See note GTXPCD/576

ASSEMBLY INSTRUCTIONS

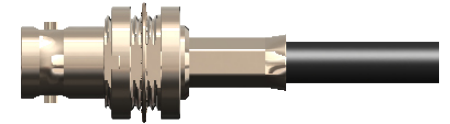


Assembly Instructions

1) Slide the ferrule onto the cable and strip the cable to the dimensions as shown, taking care not to nick the centre conductor or braid.



2) Crimp the contact onto the centre core and slide the contact into the body until it captivates, ensuring that the cable braid is on the outside of the connector mandril.



3) Slide the ferrule forward and crimp.

Crimp Die Sizes:
5.85mm Hex., 1.16mm Sq.

Strip Dimensions:
A=7.5mm, B=6.0mm, C=4.0mm



Description	Material	Finish
6 Lock Nut	Brass	Nickel
5 Washer	FE	Nickel
4 Dielectric	PTFE	White
3 Ferrule	Brass	Nickel
2 Contact	Phosphor Bronze	Gold
1 Body	Brass	Nickel

Unless otherwise specified tolerances
0.5-5 = ±0.2
>5-30 = ±0.4
>30-120 = ±0.6
>120-315 = ±1.0
>315-1000 = ±1.6
Angles = ±5°
Units = mm

This document is the confidential property of Gigatronix Limited and may not be copied, reproduced or transmitted to any third party without written authorisation.



Part Number BN02-3300-C06-Z

Title: BNC 12G SDI Crimp Bulkhead Jack, Circular Flange, Circular Locknut, Canare L-3.3CUHD

Author	PJP
Drawn by	PJP
Drawing date	25/08/2022
Checked by	DB
Checked date	25/08/2022
Scale	Not to scale