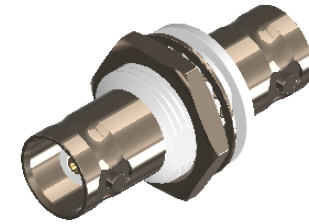


Revisions

Issue	Date	Note
1	24/03/2022	See note GTXPDC/451



1. Mechanical

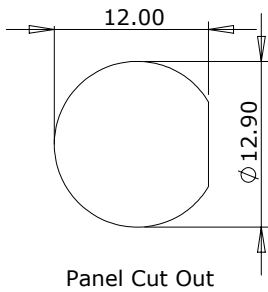
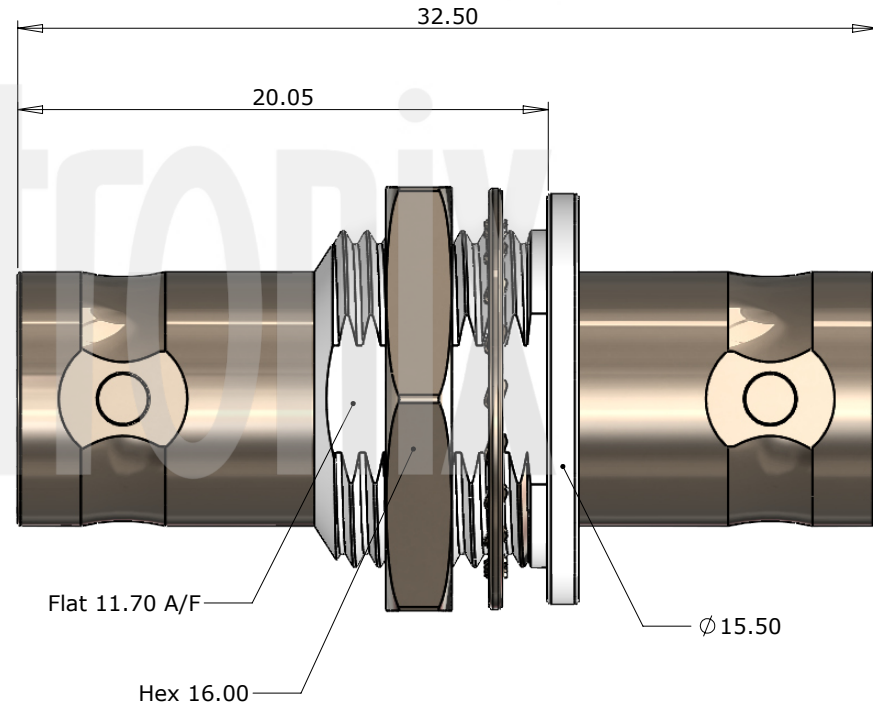
Fixing Method Panel
 Durability 500 mating cycles

2. Environmental

RoHS Compliant Yes
 Temperature Range -55 to +85 degrees C

3. Electrical

Dielectric Withstanding 1500 Volts RMS Maximum
 Impedance 50 ohms
 Interface Frequency 4 GHz
 Working Voltage 500 Volts RMS Maximum



Description	Material	Finish
6 Insulator	Delrin	White
5 Washer	SS41	Nickel
4 Lock Nut	Brass	Nickel
3 Dielectric	Delrin	White
2 Contact	Phosphor Bronze	Gold
1 Body	Brass	Nickel

Unless otherwise specified tolerances
 0.5-5 = ±0.2
 >5-30 = ±0.4
 >30-120 = ±0.6
 >120-315 = ±1.0
 >315-1000 = ±1.6
 Angles = ±5°
 Units = mm

This document is the confidential property of Gigatronix Limited and may not be copied, reproduced or transmitted to any third party without written authorisation.



Author	PJP
Drawn by	PJP
Drawing date	24/03/2022
Checked by	DB
Checked date	24/03/2022
Scale	Not to scale

Part Number BN02-10-D06
Title: BNC Bulkhead Jack to Jack Adaptor, Nickel Plated, Isolated Body, 50 ohms