

Revisions

Issue	Date	Note
2	06/01/2023	See note GTXPDC/633 - checked DB 10/1/2023

DATASHEET



1. Mechanical

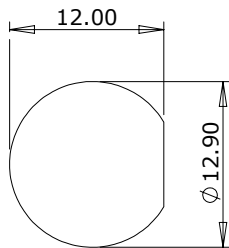
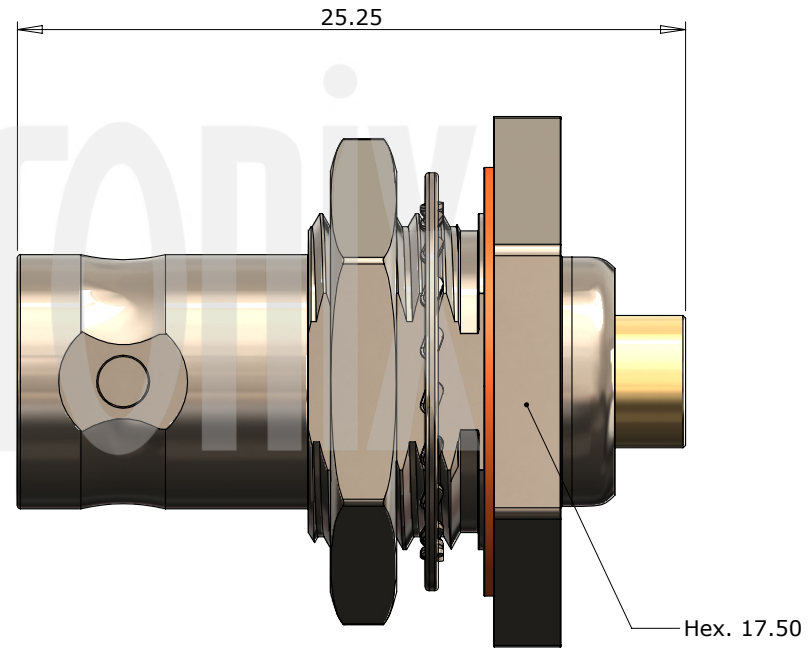
Cable Retention	272N
Fixing Method	Solder
Durability	500 mating cycles
Contact Retention	27N

2. Environmental

RoHS Compliant	Yes
Temperature Range	-65 to +165 degrees C

3. Electrical

Dielectric Withstanding	1500 Volts RMS Maximum
Impedance	50 ohms
Interface Frequency	4 GHz
Working Voltage	500 Volts RMS Maximum



Panel Cut Out

7	Back Nut	Brass	Gold
6	Washer	Phosphor Bronze	CTZ Tri-Alloy
5	Lock Nut	Brass	CTZ Tri-Alloy
4	O Ring	Rubber	Red
3	Dielectric	PTFE	White
2	Contact	Phosphor Bronze	Gold
1	Body	Brass	CTZ Tri-Alloy
	Description	Material	Finish

Unless otherwise specified tolerances
 0.5-5 = ±0.2
 >5-30 = ±0.4
 >30-120 = ±0.6
 >120-315 = ±1.0
 >315-1000 = ±1.6
 Angles = ±5°
 Units = mm

This document is the confidential property of Gigatronix Limited and may not be copied, reproduced or transmitted to any third party without written authorisation.



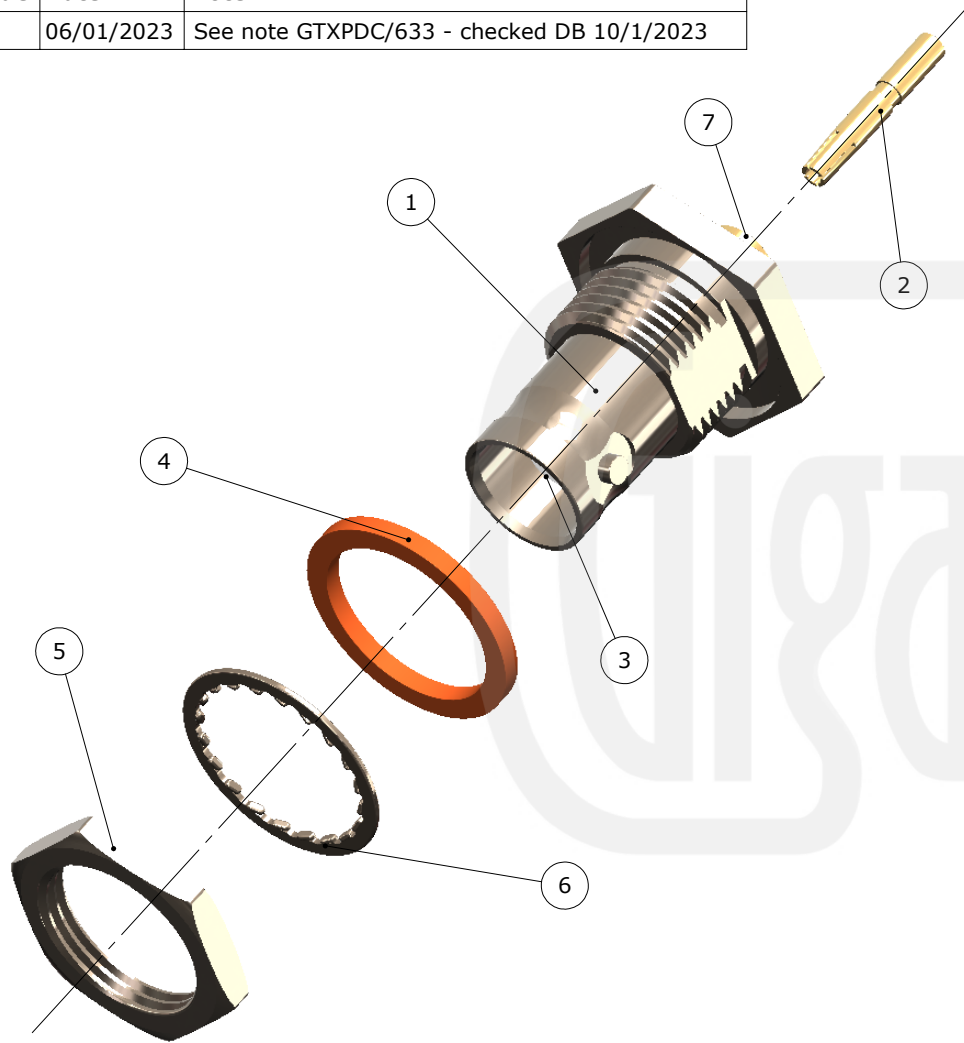
Author	PJP
Drawn by	PJP
Drawing date	28/01/2016
Checked by	DB
Checked date	29/01/2016
Scale	Not to scale

Part Number BN02-0402-R49
Title: BNC Solder Bulkhead Jack, Tri-Alloy Plated, PTFE Dielectric, RG402, .141 semi-rigid

Revisions

Issue	Date	Note
2	06/01/2023	See note GTXPDC/633 - checked DB 10/1/2023

ASSEMBLY INSTRUCTIONS



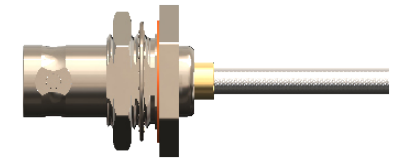
Assembly Instructions:

1) Strip the cable to the dimensions as shown, taking care not to nick the centre core.

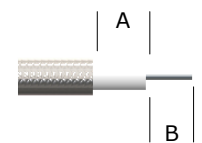


2) Solder the contact onto the centre core and slide it into the body, ensuring that the contact is fully located.

3) Solder the outer shield of the cable to the connector mandril.



Strip Dimensions:
A=0.3mm, B=4.0mm



7	Back Nut	Brass	Gold
6	Washer	Phosphor Bronze	CTZ Tri-Alloy
5	Lock Nut	Brass	CTZ Tri-Alloy
4	O Ring	Rubber	Red
3	Dielectric	PTFE	White
2	Contact	Phosphor Bronze	Gold
1	Body	Brass	CTZ Tri-Alloy
	Description	Material	Finish

Unless otherwise specified tolerances
 0.5-5 = ±0.2
 >5-30 = ±0.4
 >30-120 = ±0.6
 >120-315 = ±1.0
 >315-1000 = ±1.6
 Angles = ±5°
 Units = mm

This document is the confidential property of Gigatronix Limited and may not be copied, reproduced or transmitted to any third party without written authorisation.



Author	PJP
Drawn by	PJP
Drawing date	28/01/2016
Checked by	DB
Checked date	29/01/2016
Scale	Not to scale

Part Number BN02-0402-R49
Title: BNC Solder Bulkhead Jack, Tri-Alloy Plated, PTFE Dielectric, RG402, .141 semi-rigid