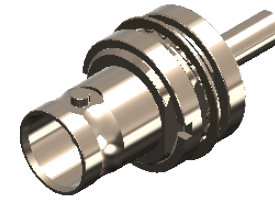


Revisions

Issue	Date	Note
2	24/10/2022	See GTXPCD/595 - checked Daniel 28/10/2022

DATASHEET



1. Mechanical

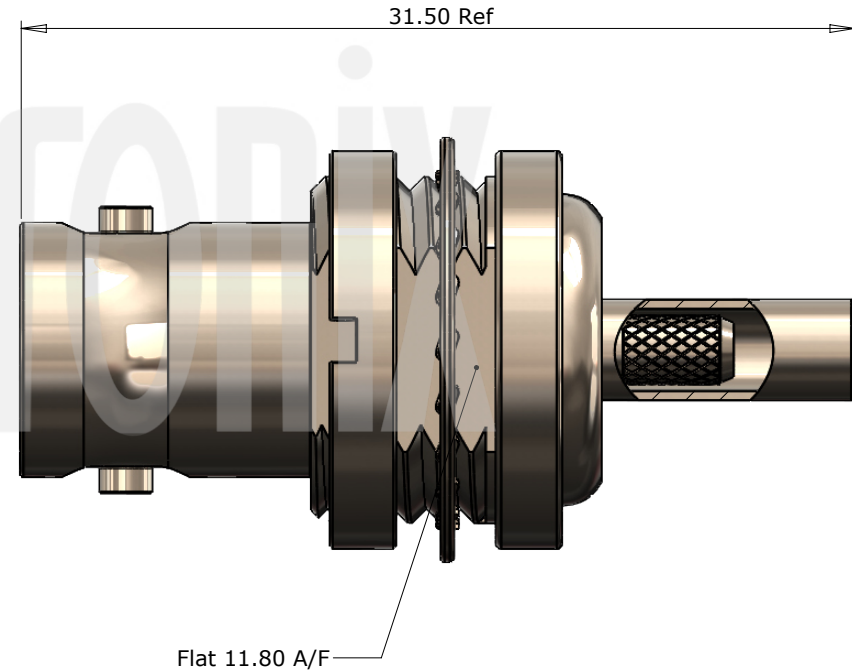
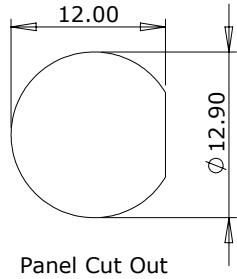
Cable Retention	Equal to breaking strain of cable
Durability	500 mating cycles
Lock Nut Torque	4.0 - 4.5Nm (35-40 in-lbs)

2. Environmental

RoHS Compliant	Yes
Temperature Range	-65 to +165 degrees C

3. Electrical


Dielectric Withstanding	1500 Volts RMS Maximum
Impedance	75 ohms
Interface Frequency	12 GHz
Working Voltage	500 Volts RMS Maximum



Description	Material	Finish
7 Lock Nut	Brass	Nickel
6 Washer	Phosphor Bronze	Nickel
5 Ferrule	Brass	Nickel
4 Dielectric	PTFE	White
3 Pin	Brass	Gold
2 Integral Contact	Phosphor Bronze	Gold
1 Body	Brass	Nickel

Unless otherwise specified tolerances
 0.5-5 = ±0.2
 >5-30 = ±0.4
 >30-120 = ±0.6
 >120-315 = ±1.0
 >315-1000 = ±1.6
 Angles = ±5°
 Units = mm

This document is the confidential property of Gigatronix Limited and may not be copied, reproduced or transmitted to any third party without written authorisation.



Part Number BN02-017C-C06-1-Z
Title: BNC 12G SDI Crimp Bulkhead Jack, Circular Flange, Circular Locknut, Belden RG179DT, RG179B/U

Author	PJP
Drawn by	PJP
Drawing date	12/08/2020
Checked by	DB
Checked date	12/08/2020
Scale	Not to scale

Revisions		
Issue	Date	Note
2	24/10/2022	See GTXPC/595 - checked Daniel 28/10/2022

ASSEMBLY INSTRUCTIONS

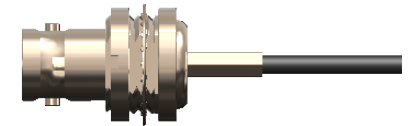
Assembly Instructions:

1) Slide the ferrule onto the cable and strip the cable to the dimensions as shown, taking care not to nick the centre conductor or braid



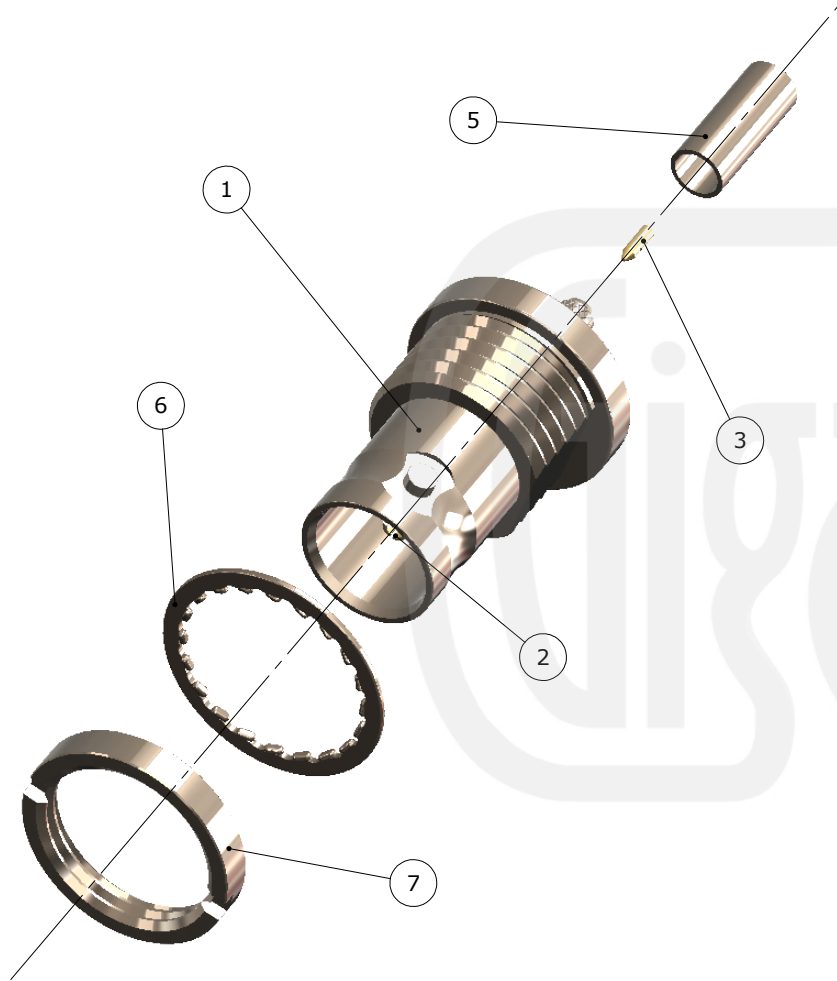
2) Solder the pin onto the centre core and slide the pin into the body, ensuring that the cable braid is on the outside of the connector mandril and that the pin is fully located

3) Slide the ferrule forward and crimp



Crimp Die Sizes:
3.25mm Hex., Solder centre core

Strip Dimensions:
A=5.0mm, B=3.5mm, C=2.0mm



7	Lock Nut	Brass	Nickel
6	Washer	Phosphor Bronze	Nickel
5	Ferrule	Brass	Nickel
4	Dielectric	PTFE	White
3	Pin	Brass	Gold
2	Integral Contact	Phosphor Bronze	Gold
1	Body	Brass	Nickel
	Description	Material	Finish

Unless otherwise specified tolerances
 0.5-5 = ± 0.2
 >5-30 = ± 0.4
 >30-120 = ± 0.6
 >120-315 = ± 1.0
 >315-1000 = ± 1.6
 Angles = $\pm 5^\circ$
 Units = mm

This document is the confidential property of Gigatronix Limited and may not be copied, reproduced or transmitted to any third party without written authorisation.

Gigatronix

Part Number BN02-017C-C06-1-Z

Title: BNC 12G SDI Crimp Bulkhead Jack, Circular Flange, Circular Locknut, Belden RG179DT, RG179B/U

Author	PJP
Drawn by	PJP
Drawing date	12/08/2020
Checked by	DB
Checked date	12/08/2020
Scale	Not to scale