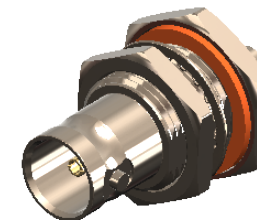


**Revisions**

Issue	Date	Note
1	21/10/2022	See GTXPDC/593



**1. Mechanical**

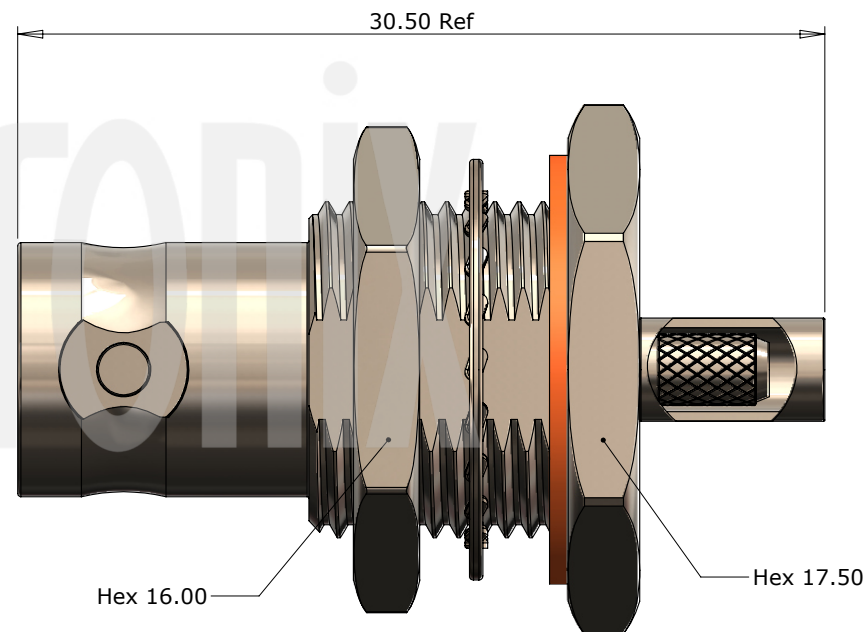
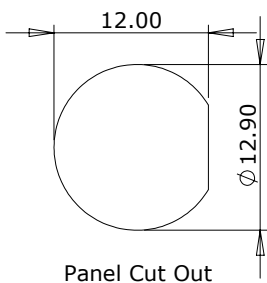
Cable Retention Equal to breaking strain of cable  
 Durability 500 mating cycles  
 Lock Nut Torque 4.0 - 4.5Nm (35-40 in-lbs)

**2. Environmental**

RoHS Compliant Yes  
 Temperature Range -65 to +165 degrees C

**3. Electrical**

Dielectric Withstanding 1500 Volts RMS Maximum  
 Impedance 75 ohms  
 Interface Frequency 12 GHz  
 Working Voltage 500 Volts RMS Maximum



8	Washer	FE	Nickel
7	Lock Nut	Brass	Nickel
6	Gasket	Rubber	Red
5	Ferrule	Brass	Nickel
4	Dielectric	PTFE	White
3	Pin	Brass	Gold
2	Integral Contact	Beryllium Copper	Gold
1	Body	Brass	Nickel
	<b>Description</b>	<b>Material</b>	<b>Finish</b>

Unless otherwise specified tolerances  
 0.5-5 = ±0.2  
 >5-30 = ±0.4  
 >30-120 = ±0.6  
 >120-315 = ±1.0  
 >315-1000 = ±1.6  
 Angles = ±5°  
 Units = mm

This document is the confidential property of Gigatronix Limited and may not be copied, reproduced or transmitted to any third party without written authorisation.



<b>Author</b>	PJP
<b>Drawn by</b>	PJP
<b>Drawing date</b>	21/10/2022
<b>Checked by</b>	DB
<b>Checked date</b>	27/10/2022
<b>Scale</b>	Not to scale

**Part Number** BN02-0179-C06WP-Z

**Title:** BNC 12G SDI Crimp Bulkhead Jack, Hex. Flange, IP68 Waterproof, Belden RG179DT, RG179B/U

**Revisions**

Issue	Date	Note
1	21/10/2022	See GTXPDC/593

**ASSEMBLY INSTRUCTIONS**

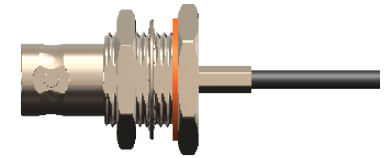
**Assembly Instructions**

1) Slide the ferrule onto the cable and strip the cable to the dimensions as shown, taking care not to nick the centre conductor or braid.



2) Crimp the pin onto the centre core and slide the pin into the body until it is fully located within the integral contact, ensuring that the cable braid is on the outside of the connector mandril.

3) Slide the ferrule forward and crimp.



**Crimp Die Sizes:**  
3.25mm Hex., 0.72mm sq.

**Strip Dimensions:**  
A=5.1mm, B=2.7mm, C=3.0mm



8	Washer	FE	Nickel
7	Lock Nut	Brass	Nickel
6	Gasket	Rubber	Red
5	Ferrule	Brass	Nickel
4	Dielectric	PTFE	White
3	Pin	Brass	Gold
2	Integral Contact	Beryllium Copper	Gold
1	Body	Brass	Nickel
	<b>Description</b>	<b>Material</b>	<b>Finish</b>

Unless otherwise specified tolerances  
 0.5-5 = ±0.2  
 >5-30 = ±0.4  
 >30-120 = ±0.6  
 >120-315 = ±1.0  
 >315-1000 = ±1.6  
 Angles = ±5°  
 Units = mm

This document is the confidential property of Gigatronix Limited and may not be copied, reproduced or transmitted to any third party without written authorisation.



<b>Author</b>	PJP
<b>Drawn by</b>	PJP
<b>Drawing date</b>	21/10/2022
<b>Checked by</b>	DB
<b>Checked date</b>	27/10/2022
<b>Scale</b>	Not to scale
<b>Part Number</b>	BN02-0179-C06WP-Z
<b>Title:</b>	BNC 12G SDI Crimp Bulkhead Jack, Hex. Flange, IP68 Waterproof, Belden RG179DT, RG179B/U