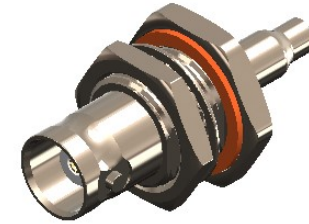


**Revisions**

Issue	Date	Note
1	20/12/2021	See note GTXPDC/375



**1. Mechanical**

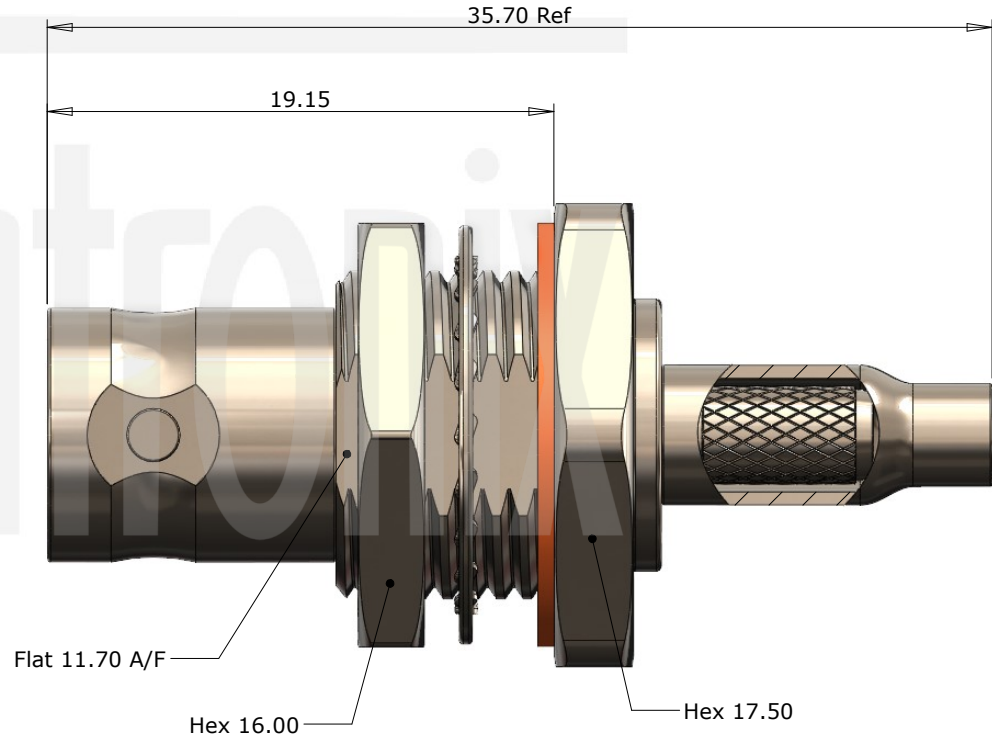
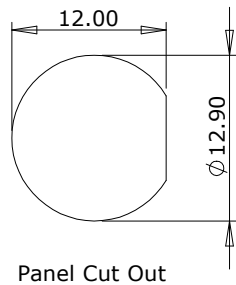
Cable Retention Equal to breaking strain of cable  
 Durability 500 mating cycles  
 Lock Nut Torque 4.0 - 4.5Nm (35-40 in-lbs)

**2. Environmental**

RoHS Compliant Yes  
 Temperature Range -55 to +85 degrees C

**3. Electrical**

Dielectric Withstanding 1500 Volts RMS Maximum  
 Impedance 75 ohms  
 Interface Frequency 1 GHz  
 Working Voltage 500 Volts RMS Maximum



7	Washer	Steel	Nickel
6	Lock Nut	Brass	Nickel
5	O-Ring	Silicone	Red
4	Ferrule	Brass	Nickel
3	Dielectric	Delrin	White
2	Contact	Brass	Gold
1	Body	Zinc Alloy	Nickel
	<b>Description</b>	<b>Material</b>	<b>Finish</b>

Unless otherwise specified tolerances  
 0.5-5 = ±0.2  
 >5-30 = ±0.4  
 >30-120 = ±0.6  
 >120-315 = ±1.0  
 >315-1000 = ±1.6  
 Angles = ±5°  
 Units = mm

This document is the confidential property of Gigatronix Limited and may not be copied, reproduced or transmitted to any third party without written authorisation.



<b>Author</b>	PJP
<b>Drawn by</b>	PJP
<b>Drawing date</b>	20/12/2021
<b>Checked by</b>	DB
<b>Checked date</b>	20/12/2021
<b>Scale</b>	Not to scale

**Part Number** BN02-0179-C06D  
**Title:** BNC Crimp Bulkhead Jack, Nickel Plated, Delrin Dielectric, RG179, RG179PE

Revisions

Issue	Date	Note
1	20/12/2021	See note GTXPDC/375

ASSEMBLY INSTRUCTIONS

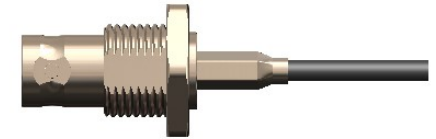
Assembly Instructions

1) Slide the ferrule onto the cable and strip the cable to the dimensions as shown, taking care not to nick the centre conductor or braid.



2) Crimp the contact onto the centre core and slide the contact into the body until it captivates, ensuring that the cable braid is on the outside of the connector mandril.

3) Slide the ferrule forward and crimp.

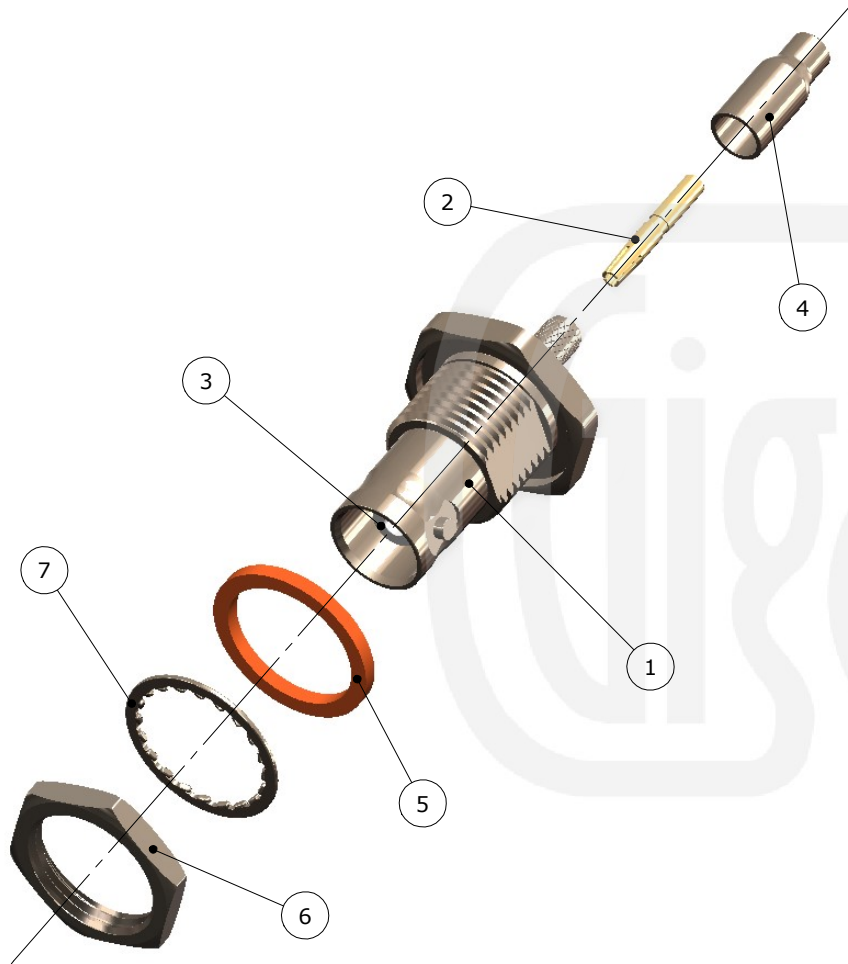


Crimp Hex. Sizes:

4.52mm Hex, 1.69mm Hex

Strip Dimensions:

A=8.5mm, B=5.5mm, C=4.0mm



7	Washer	Steel	Nickel
6	Lock Nut	Brass	Nickel
5	O-Ring	Silicone	Red
4	Ferrule	Brass	Nickel
3	Dielectric	Delrin	White
2	Contact	Brass	Gold
1	Body	Zinc Alloy	Nickel
	<b>Description</b>	<b>Material</b>	<b>Finish</b>

Unless otherwise specified tolerances  
 0.5-5 = ±0.2  
 >5-30 = ±0.4  
 >30-120 = ±0.6  
 >120-315 = ±1.0  
 >315-1000 = ±1.6  
 Angles = ±5°  
 Units = mm

This document is the confidential property of Gigatronix Limited and may not be copied, reproduced or transmitted to any third party without written authorisation.



<b>Author</b>	PJP
<b>Drawn by</b>	PJP
<b>Drawing date</b>	20/12/2021
<b>Checked by</b>	DB
<b>Checked date</b>	20/12/2021
<b>Scale</b>	Not to scale

**Part Number** BN02-0179-C06D  
**Title:** BNC Crimp Bulkhead Jack, Nickel Plated, Delrin Dielectric, RG179, RG179PE