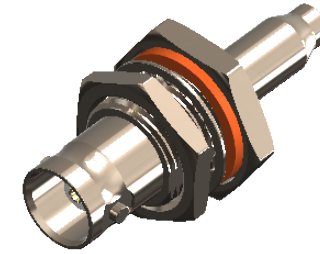


**Revisions**

Issue	Date	Note
1	23/03/2022	See note GTXPDC/450

**DATASHEET**



**1. Mechanical**

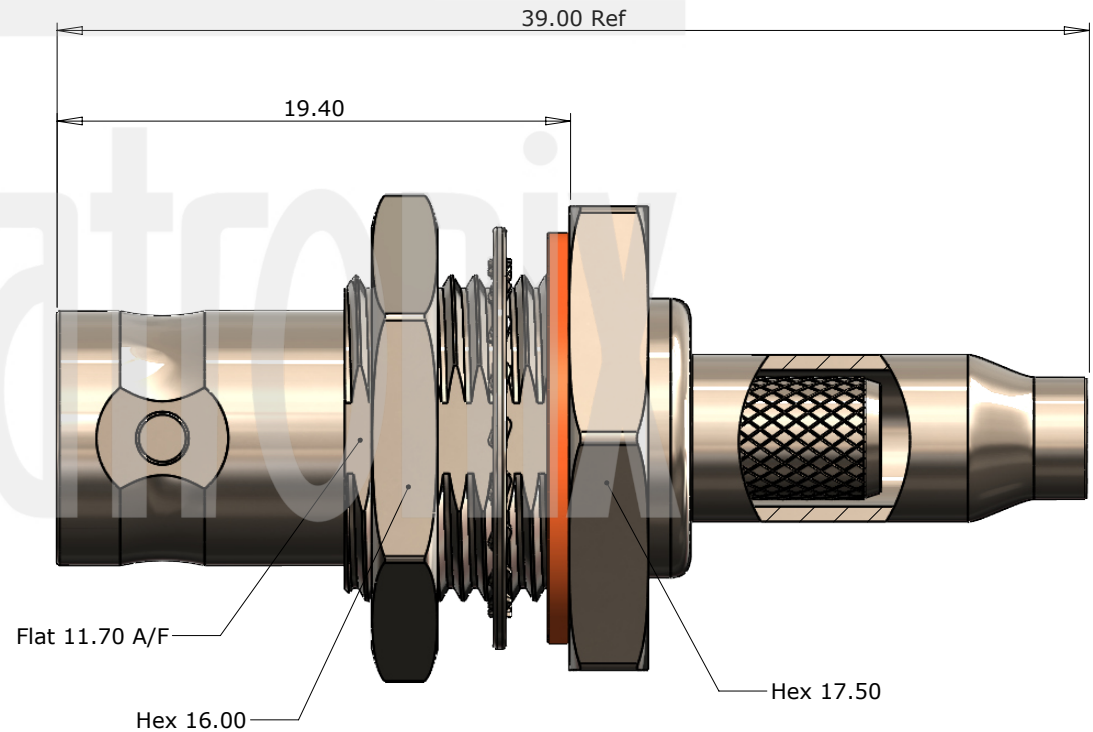
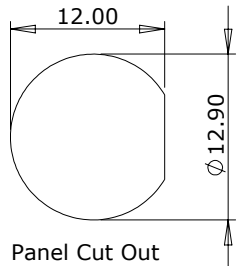
Cable Retention	Equal to breaking strain of cable
Durability	500 mating cycles
Lock Nut Torque	4.0 - 4.5Nm (35-40 in-lbs)

**2. Environmental**

RoHS Compliant	Yes
Temperature Range	-55 to +85 degrees C

**3. Electrical**

Dielectric Withstanding	1500 Volts RMS Maximum
Impedance	75 ohms
Interface Frequency	1 GHz
Working Voltage	500 Volts RMS Maximum



8	Insulator	Delrin	White
7	Washer	SS41	Nickel
6	Lock Nut	Brass	Nickel
5	Gasket	Rubber	Orange
4	Ferrule	Brass	Nickel
3	Dielectric	Delrin	White
2	Contact	Brass	Gold
1	Body	Brass	Nickel
	<b>Description</b>	<b>Material</b>	<b>Finish</b>

Unless otherwise specified tolerances  
 0,5-5 = ±0,2  
 >5-30 = ±0,4  
 >30-120 = ±0,6  
 >120-315 = ±1,0  
 >315-1000 = ±1,6  
 Angles = ±5°  
 Units = mm

This document is the confidential property of Gigatronix Limited and may not be copied, reproduced or transmitted to any third party without written authorisation.

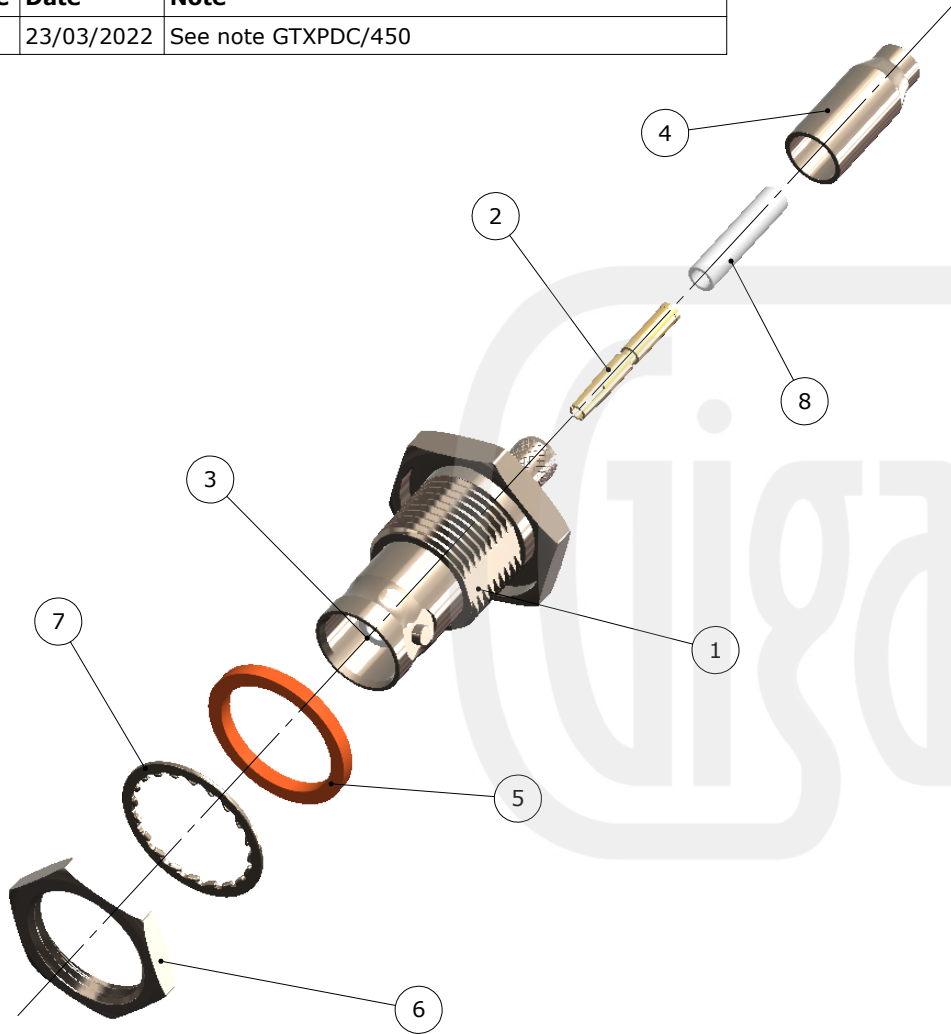


<b>Author</b>	PJP
<b>Drawn by</b>	PJP
<b>Drawing date</b>	23/03/2022
<b>Checked by</b>	DB
<b>Checked date</b>	23/03/2022
<b>Scale</b>	Not to scale

**Part Number** BN02-0179-C06-7  
**Title:** BNC Crimp Bulkhead Jack, Nickel Plated, Delrin Dielectric, Hex. Flange, RG179

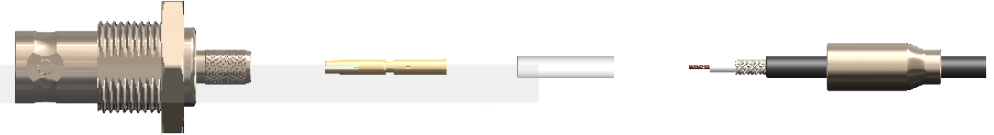
Revisions		
Issue	Date	Note
1	23/03/2022	See note GTXPDC/450

# ASSEMBLY INSTRUCTIONS

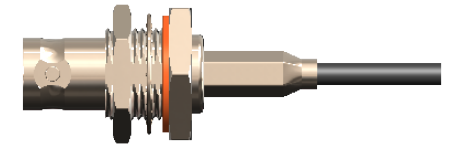


## Assembly Instructions

1) Slide the ferrule onto the cable and strip the cable to the dimensions as shown, taking care not to nick the centre conductor or braid.



2) Open the cable braid and slide the insulator tube over the dielectric but under the braid. Crimp the contact onto the centre core and then slide the contact into the body until it captivates, ensuring that the cable braid is on the outside of the connector mandril.



3) Slide the ferrule forward and crimp.

**Crimp Hex. Sizes:**  
5.41mm Hex, 1.69 Hex

**Strip Dimensions:**  
A=12.0mm, B=3.0mm, C=3.0mm



8	Insulator	Delrin	White
7	Washer	SS41	Nickel
6	Lock Nut	Brass	Nickel
5	Gasket	Rubber	Orange
4	Ferrule	Brass	Nickel
3	Dielectric	Delrin	White
2	Contact	Brass	Gold
1	Body	Brass	Nickel
	<b>Description</b>	<b>Material</b>	<b>Finish</b>

Unless otherwise specified tolerances  
 0.5-5 = ±0.2  
 >5-30 = ±0.4  
 >30-120 = ±0.6  
 >120-315 = ±1.0  
 >315-1000 = ±1.6  
 Angles = ±5°  
 Units = mm

This document is the confidential property of Gigatronix Limited and may not be copied, reproduced or transmitted to any third party without written authorisation.

<b>Author</b>	PJP
<b>Drawn by</b>	PJP
<b>Drawing date</b>	23/03/2022
<b>Checked by</b>	DB
<b>Checked date</b>	23/03/2022
<b>Scale</b>	Not to scale

**Part Number** BN02-0179-C06-7

**Title:** BNC Crimp Bulkhead Jack, Nickel Plated, Delrin Dielectric, Hex. Flange, RG179