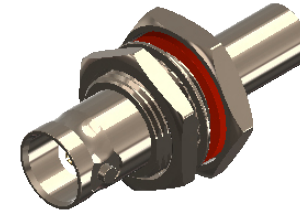


Revisions

Issue	Date	Note
1	17/03/2022	See note GTXPDC/446



1. Mechanical

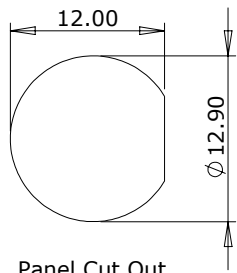
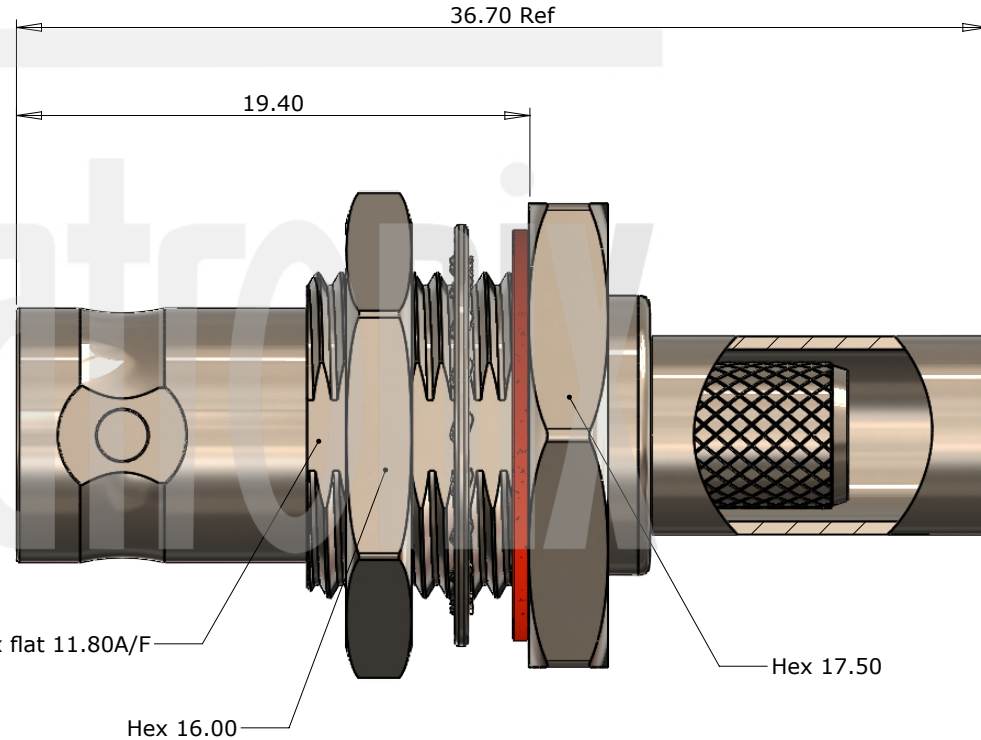
Cable Retention Equal to breaking strain of cable
 Durability 500 mating cycles
 Lock Nut Torque 4.0 - 4.5Nm (35-40 in-lbs)

2. Environmental

RoHS Compliant Yes
 Temperature Range -55 to +85 degrees C

3. Electrical

Dielectric Withstanding 1500 Volts RMS Maximum
 Impedance 75 ohms
 Interface Frequency 1 GHz
 Working Voltage 500 Volts RMS Maximum



Panel Cut Out

7	Washer	SS41	Nickel
6	Lock Nut	Brass	Nickel
5	Gasket	Rubber	Red
4	Ferrule	Brass	Nickel
3	Dielectric	Delrin	White
2	Contact	Brass	Gold
1	Body	Brass	Nickel
	Description	Material	Finish

Unless otherwise specified tolerances
 0.5-5 = ±0.2
 >5-30 = ±0.4
 >30-120 = ±0.6
 >120-315 = ±1.0
 >315-1000 = ±1.6
 Angles = ±5°
 Units = mm

This document is the confidential property of Gigatronix Limited and may not be copied, reproduced or transmitted to any third party without written authorisation.



Author	PJP
Drawn by	PJP
Drawing date	17/03/2022
Checked by	DB
Checked date	23/03/2022
Scale	Not to scale

Part Number BN02-0059-C06

Title: BNC Crimp Bulkhead Jack, Nickel Plated, Hex. Flange, RG59, URM70

Revisions		
Issue	Date	Note
1	17/03/2022	See note GTXPDC/446

ASSEMBLY INSTRUCTIONS

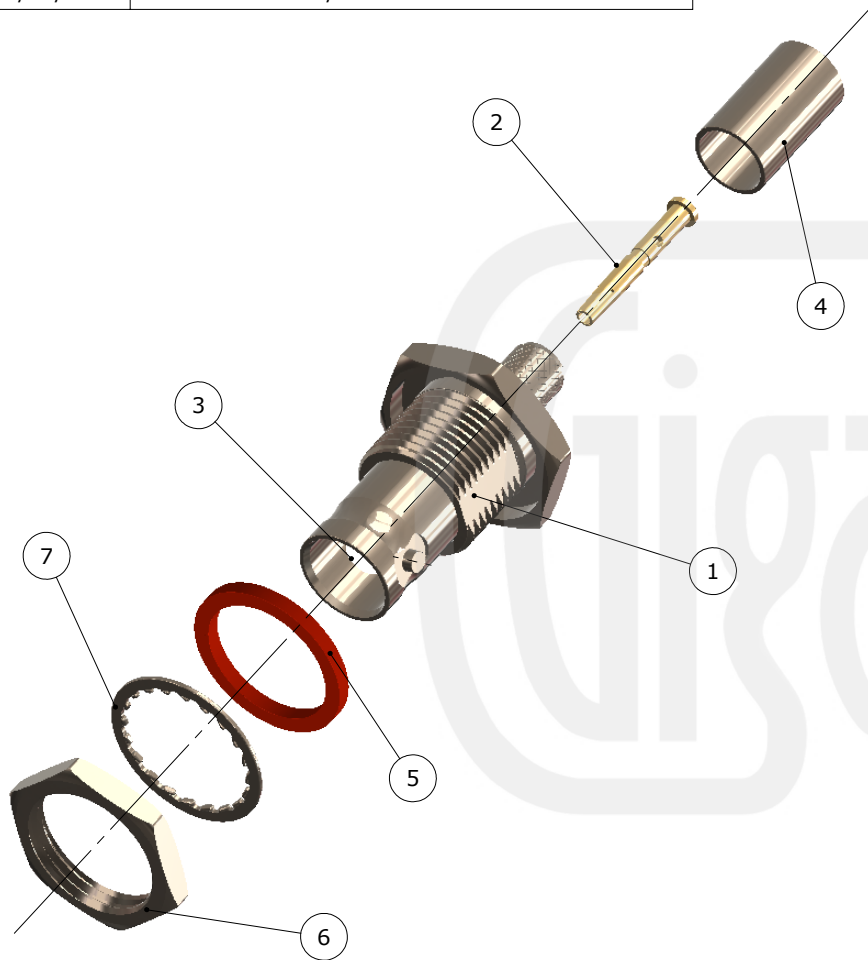
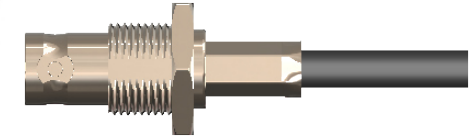
Assembly Instructions

1) Slide the ferrule onto the cable and strip the cable to the dimensions as shown, taking care not to nick the centre conductor or braid.



2) Crimp the contact onto the centre core and then slide the contact into the body until fully located, ensuring that the cable braid is on the outside of the connector mandril.

3) Slide the ferrule forward and crimp.



Crimp Hex. Sizes:
6.48mm Hex, 1.69 Hex

Strip Dimensions:
A=8.0mm, B=6.0mm, C=3.0mm



Description	Material	Finish
7 Washer	SS41	Nickel
6 Lock Nut	Brass	Nickel
5 Gasket	Rubber	Red
4 Ferrule	Brass	Nickel
3 Dielectric	Delrin	White
2 Contact	Brass	Gold
1 Body	Brass	Nickel

Unless otherwise specified tolerances
 0.5-5 = ±0.2
 >5-30 = ±0.4
 >30-120 = ±0.6
 >120-315 = ±1.0
 >315-1000 = ±1.6
 Angles = ±5°
 Units = mm

This document is the confidential property of Gigatronix Limited and may not be copied, reproduced or transmitted to any third party without written authorisation.



Author	PJP
Drawn by	PJP
Drawing date	17/03/2022
Checked by	DB
Checked date	23/03/2022
Scale	Not to scale

Part Number BN02-0059-C06

Title: BNC Crimp Bulkhead Jack, Nickel Plated, Hex. Flange, RG59, URM70