

Revisions

Issue	Date	Note
1	07/12/2021	See note GTXPDC/368

DATASHEET



1. Mechanical

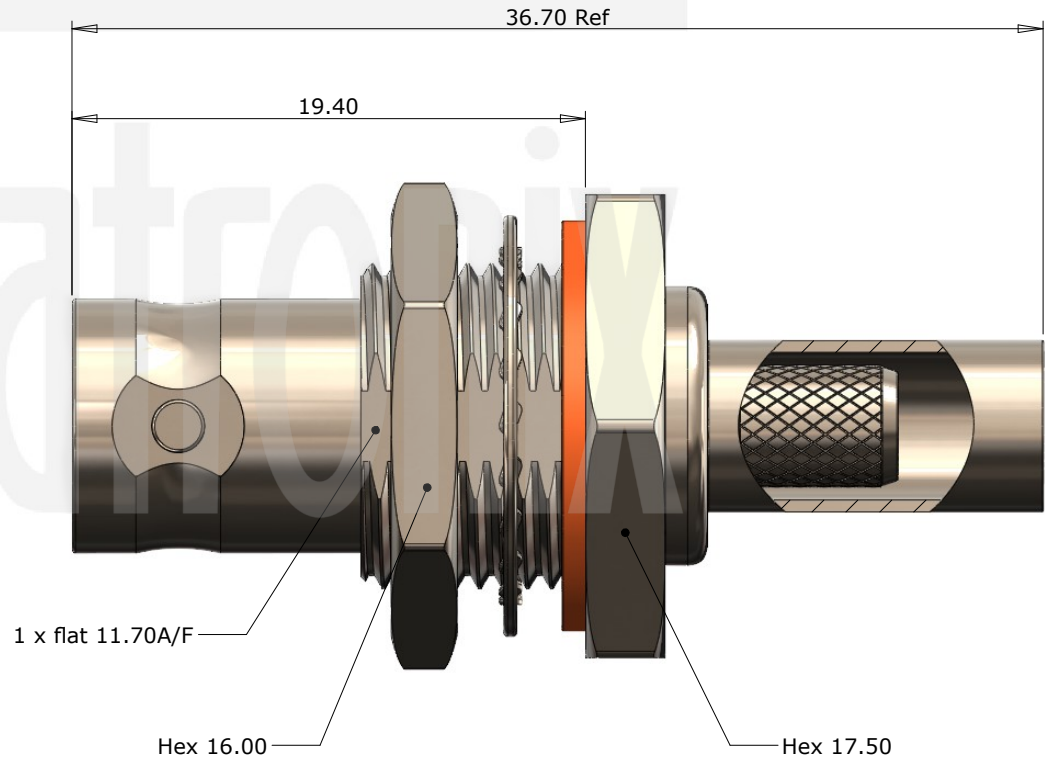
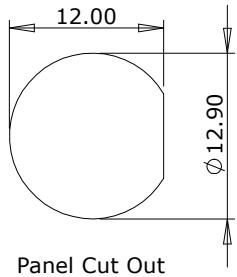
Cable Retention	Equal to breaking strain of cable
Durability	500 mating cycles
Lock Nut Torque	4.0 - 4.5Nm (35-40 in-lbs)

2. Environmental

RoHS Compliant	Yes
Temperature Range	-65 to +165 degrees C

3. Electrical

Dielectric Withstanding	1500 Volts RMS Maximum
Impedance	50 ohms
Interface Frequency	4 GHz
Working Voltage	500 Volts RMS Maximum



Description	Material	Finish
7 Washer	SS41	Nickel
6 Lock Nut	Brass	Nickel
5 Gasket	Rubber	Orange
4 Ferrule	Brass	Nickel
3 Dielectric	PTFE	White
2 Contact	Brass	Gold
1 Body	Brass	Nickel

Unless otherwise specified tolerances
 0.5-5 = ±0.2
 >5-30 = ±0.4
 >30-120 = ±0.6
 >120-315 = ±1.0
 >315-1000 = ±1.6
 Angles = ±5°
 Units = mm

This document is the confidential property of Gigatronix Limited and may not be copied, reproduced or transmitted to any third party without written authorisation.



Author	PJP
Drawn by	PJP
Drawing date	07/12/2021
Checked by	DB
Checked date	09/12/2021
Scale	Not to scale

Part Number	BN02-0058-C06-4
Title:	BNC Crimp Bulkhead Jack, Nickel Plated, PTFE Dielectric, Hex. Flange, RG58, LBC195, URM43

Revisions

Issue	Date	Note
1	07/12/2021	See note GTXPDC/368

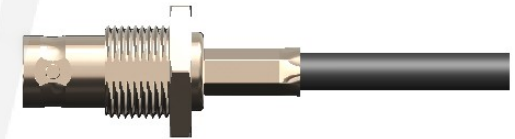
ASSEMBLY INSTRUCTIONS

Assembly Instructions

1) Slide the ferrule onto the cable and strip the cable to the dimensions as shown, taking care not to nick the centre conductor or braid.



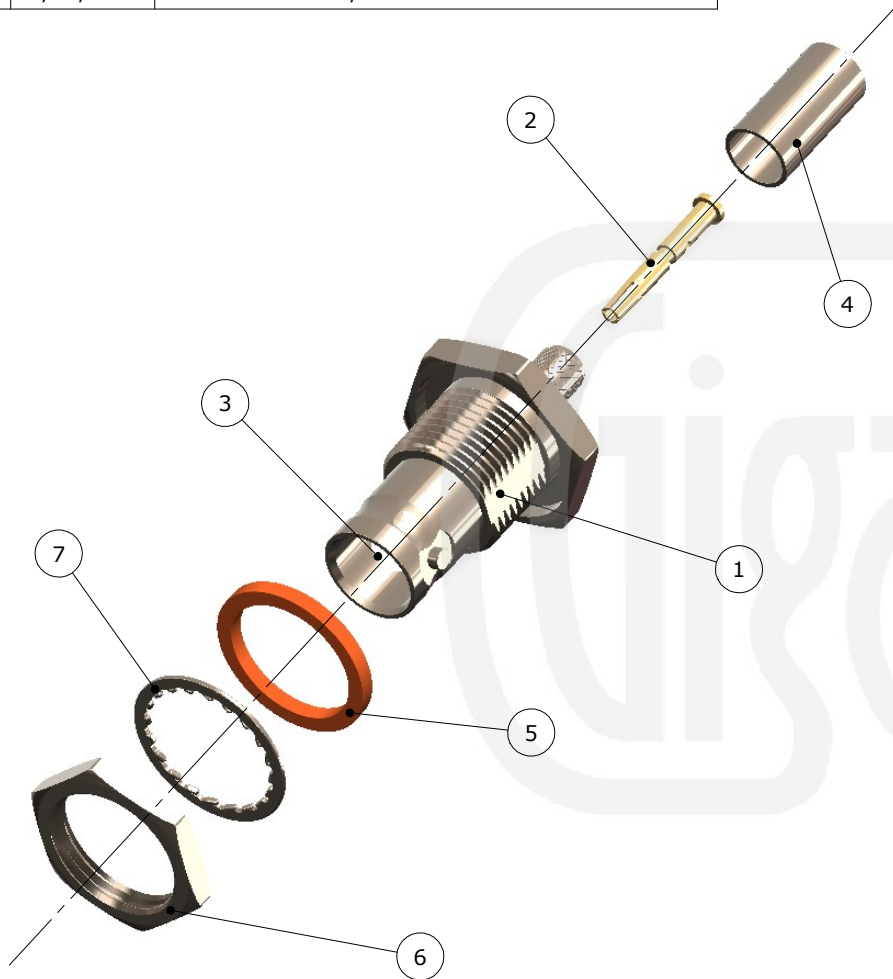
2) Crimp the contact onto the centre core and then slide the contact into the body until fully located, ensuring that the cable braid is on the outside of the connector mandril.



3) Slide the ferrule forward and crimp.

Crimp Hex. Sizes:
5.41mm Hex, 1.69 Hex

Strip Dimensions:
A=8.0mm, B=6.0mm, C=3.0mm



7	Washer	SS41	Nickel
6	Lock Nut	Brass	Nickel
5	Gasket	Rubber	Orange
4	Ferrule	Brass	Nickel
3	Dielectric	PTFE	White
2	Contact	Brass	Gold
1	Body	Brass	Nickel
	Description	Material	Finish

Unless otherwise specified tolerances
 0.5-5 = ±0.2
 >5-30 = ±0.4
 >30-120 = ±0.6
 >120-315 = ±1.0
 >315-1000 = ±1.6
 Angles = ±5°
 Units = mm

This document is the confidential property of Gigatronix Limited and may not be copied, reproduced or transmitted to any third party without written authorisation.



Author	PJP
Drawn by	PJP
Drawing date	07/12/2021
Checked by	DB
Checked date	09/12/2021
Scale	Not to scale

Part Number BN02-0058-C06-4
Title: BNC Crimp Bulkhead Jack, Nickel Plated, PTFE Dielectric, Hex. Flange, RG58, LBC195, URM43