



12G SDI, 4K

Low Loss 75 ohm Coaxial Cables
Digital Video Cables

www.gigatronix.com

Gigatronix

Contents

HDTV High Definition Coaxial Cables - 6G-SDI

■ HD75-M59	Mini RG59 Digital Video Cable, 0.6/2.6, Black	2-3
■ HD75-0628-7	Digital Video Cable, 0.6/2.8, Violet	4-5
■ HD75-6	RG6 Digital Video Cable, 1.0/4.6, Black	6-7

4K Ultra High Definition Coaxial Cables - 12G-SDI

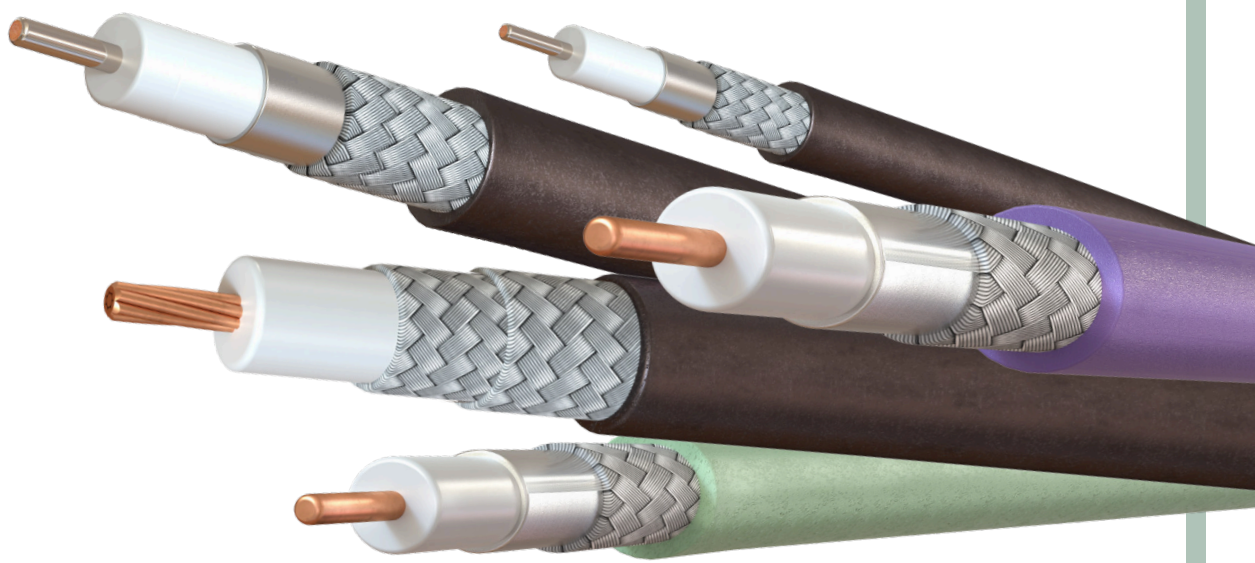
■ UHD75-179D	RG179DT Digital Video Cable, 0.3/1.3, Black	8-9
■ UHD75-M59	Mini RG59 Digital Video Cable, 0.6/2.6, Black	10-11
■ UHD75-M59-7	Mini RG59 Digital Video Cable, 0.6/2.6, Violet	12-13
■ UHD75-0729-7	Digital Video Cable, 0.7/2.9, Violet	14-15
■ UHD75-59	RG59 Digital Video Cable, 0.8/3.7, Black	16-17
■ UHD75-59-7	RG59 Digital Video Cable, 0.8/3.7, Violet	18-19
■ UHD75-6	RG6 Digital Video Cable, 1.0/4.6, Black	20-21
■ UHD75-6-7	RG6 Digital Video Cable, 1.0/4.6, Violet	22-23

4K Ultra High Definition ExtraFlex Coaxial Cables - 12G-SDI

■ UHD75-M59XF	Mini RG59 ExtraFlex Digital Video Cable, 0.6/2.6	24-25
■ UHD75-59XF	RG59 ExtraFlex Digital Video Cable, 0.8/3.7	26-27
■ UHD75-6XF	RG6 ExtraFlex Digital Video Cable, 1.0/4.6	28-29

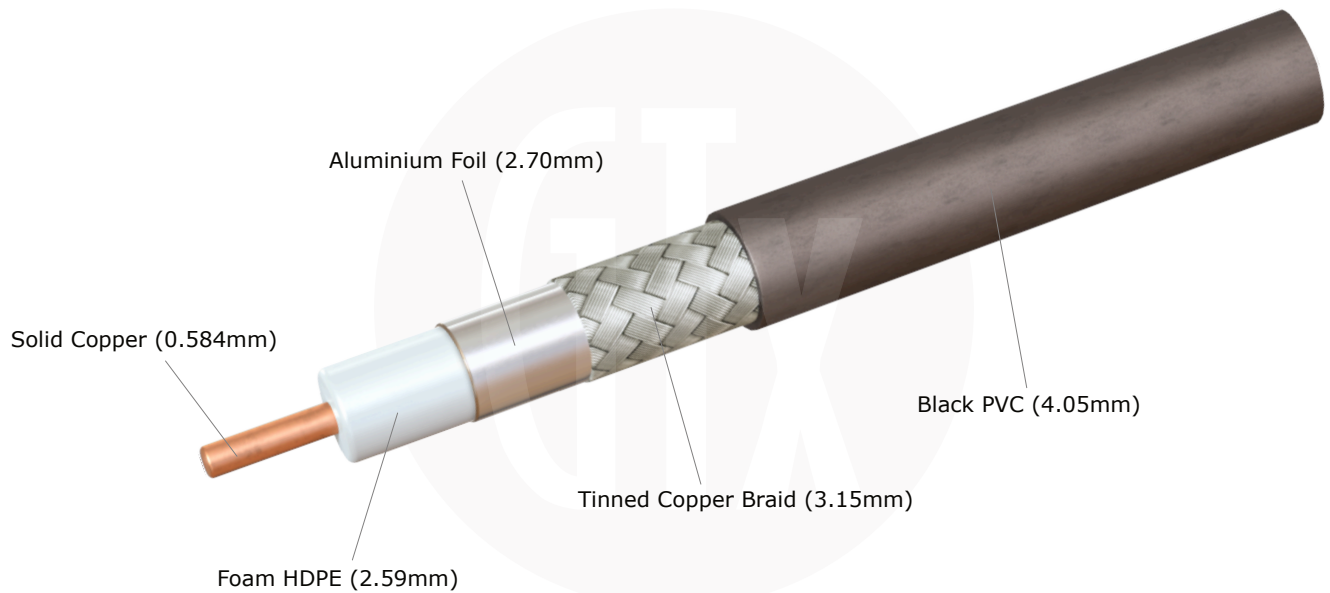
4K, 12G-SDI Coaxial Connectors

■ BNC 12G-SDI Plugs and Jacks	30-31
■ HD BNC (Micro BNC) 12G-SDI Plugs and Jacks	31-32
■ DIN 1.0/2.3 12G-SDI Plugs and Jacks	32



HD75-M59

Mini RG59 HDTV High Definition, 0.6/2.6



MATERIAL SPECIFICATION

Inner Conductor	Solid Copper (0.584mm)
Dielectric	Foam HDPE (2.59mm)
First Shield	Aluminium Foil (2.70mm)
Second Shield	Tinned Copper Braid (3.15mm)
Jacket	Black FR-PVC (4.05mm)

ELECTRICAL SPECIFICATION

Impedance	75 Ohms
Max. Frequency	DC to 6 GHz
Capacitance	53 pF/m
Velocity of Propagation	83%

HD75-M59

Mini RG59 HDTV High Definition, 0.6/2.6

MECHANICAL & ENVIRONMENTAL SPECIFICATION

Bending Radius (static)	14mm
Bending Radius (flexing)	46mm
RoHS Compliant	Yes
Temperature Range	-20 to +75 degrees C
CPR Compliance	Eca

FREQUENCY ATTENUATION (per 100m)

FREQUENCY	ATTENUATION (per 100m)
270.000 MHz	17.85 dB
540.000 MHz	25.76 dB
1000.000 MHz	35.74 dB
3000.000 MHz	64.47 dB
6000.000 MHz	95.05 dB

RECOMMENDED MAXIMUM TRANSMISSION LENGTH*

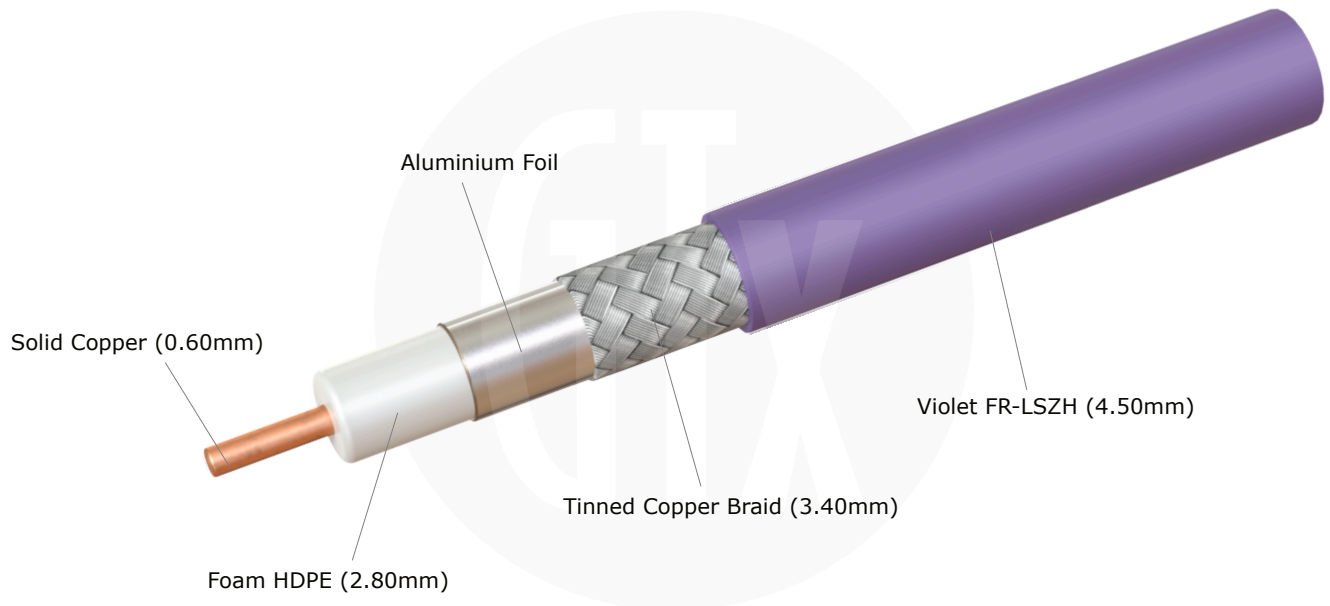
Single Link 3Gb/s (SMPTE ST425) maximum distance 91m

Single Link 6Gb/s (SMPTE ST2081) maximum distance 62m

*based on 40dB loss at 1/2 clock frequency

HD75-0628-7

HDTV High Definition, 0.6/2.8, Violet Jacket



MATERIAL SPECIFICATION

Inner Conductor	Solid Copper (0.60mm)
Dielectric	Foam HDPE (2.80mm)
First Shield	Aluminium Foil
Second Shield	Tinned Copper Braid (3.40mm)
Jacket	Violet FR-LSZH (4.50mm)

ELECTRICAL SPECIFICATION

Impedance	75 Ohms
Max. Frequency	DC to 6 GHz
Capacitance	78 pF/m
Velocity of Propagation	83%

HD75-0628-7

HDTV High Definition, 0.6/2.8, Violet Jacket

MECHANICAL & ENVIRONMENTAL SPECIFICATION

Bending Radius (static)	14mm
Bending Radius (flexing)	46mm
RoHS Compliant	Yes
Temperature Range	-20 to +75 degrees C
CPR Compliance	Eca

FREQUENCY ATTENUATION (per 100m)

270.000 MHz	17.84 dB
540.000 MHz	25.72 dB
1000.000 MHz	33.20 dB
3000.000 MHz	60.90 dB
6000.000 MHz	88.50 dB

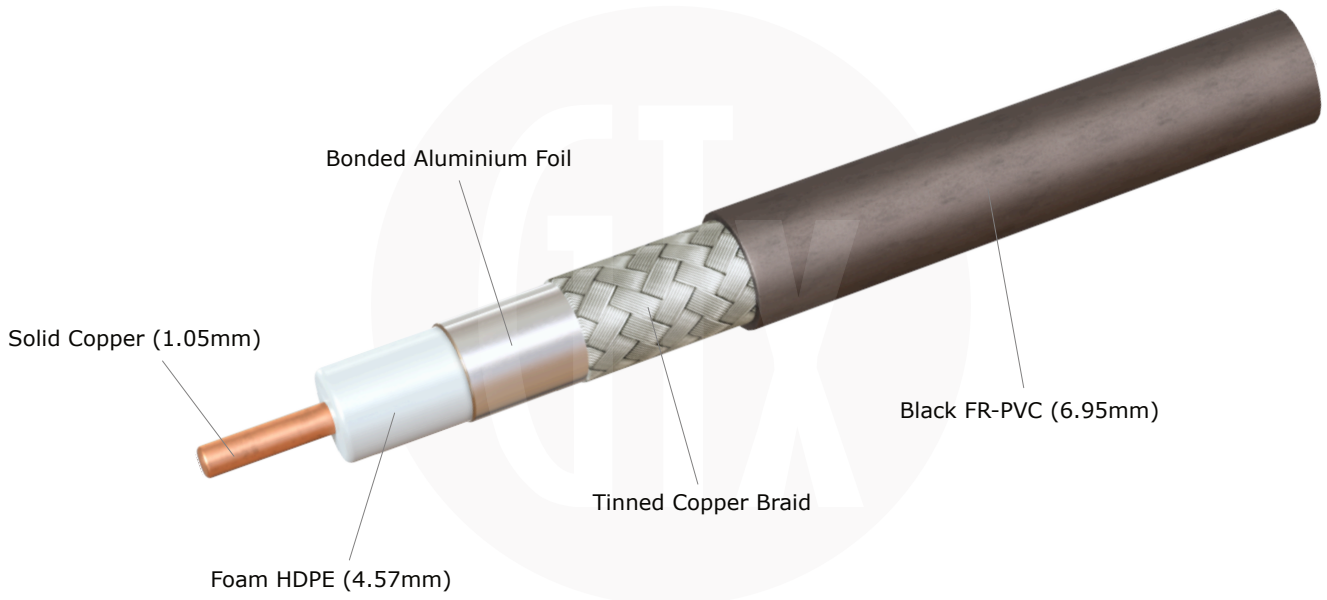
RECOMMENDED MAXIMUM TRANSMISSION LENGTH*

Single Link 3Gb/s (SMPTE ST425) maximum distance 101m
 Single Link 6Gb/s (SMPTE ST2081) maximum distance 66m

*based on 40dB loss at ½ clock frequency

HD75-6

RG6 HDTV High Definition, 1.0/4.6



MATERIAL SPECIFICATION

Inner Conductor	Solid Copper (1.05mm)
Dielectric	Foam HDPE (4.57mm)
First Shield	Bonded Aluminium Foil
Second Shield	Tinned Copper Braid
Jacket	Black FR-PVC (6.95mm)

ELECTRICAL SPECIFICATION

Impedance	75 ohms
Max. Frequency	DC to 12 GHz
Capacitance	53 pF/m
Velocity of Propagation	82.0%

HD75-6

RG6 HDTV High Definition, 1.0/4.6

MECHANICAL & ENVIRONMENTAL SPECIFICATION

Bending Radius (static)	23mm
Bending Radius (flexing)	168mm
RoHS Compliant	Yes
Temperature Range	-30 to +75 degrees C
CPR Compliance	Eca

FREQUENCY	ATTENUATION (per 100m)
270.000 MHz	12.10 dB
540.000 MHz	15.00 dB
1000.000 MHz	21.00 dB
3000.000 MHz	35.00 dB
6000.000 MHz	58.00 dB

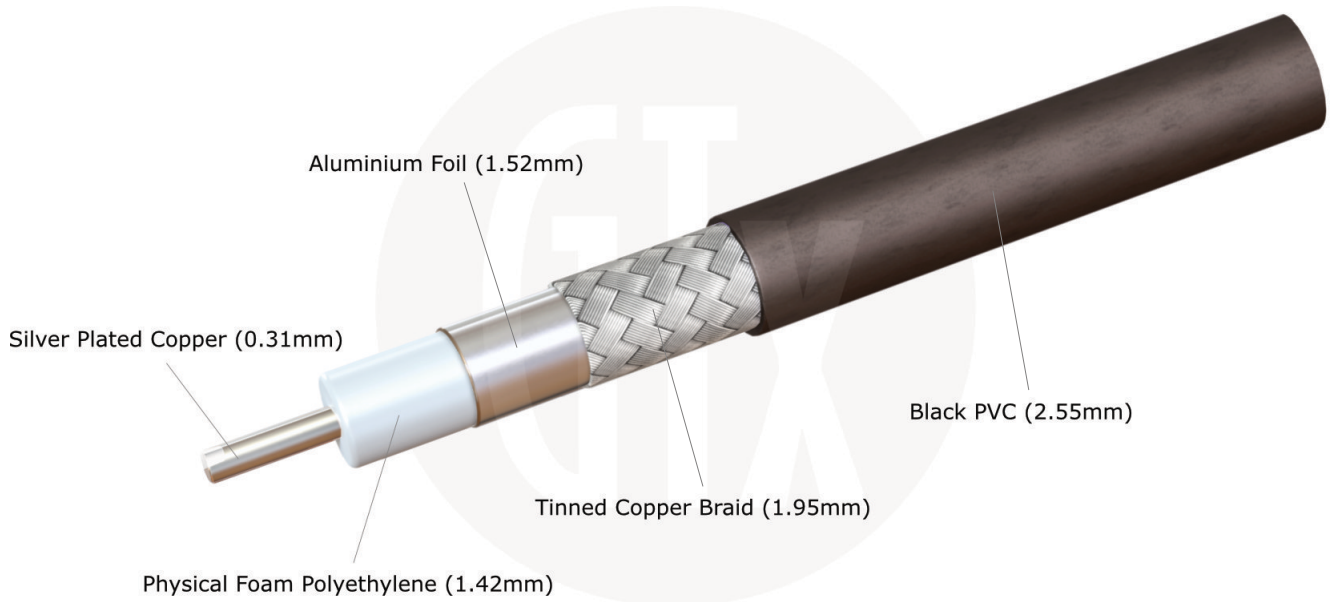
RECOMMENDED MAXIMUM TRANSMISSION LENGTH*

Single Link 3Gb/s (SMPTE ST425) maximum distance 130m
 Single Link 6Gb/s (SMPTE ST2081) maximum distance 87m

*based on 40dB loss at 1/2 clock frequency

UHD75-179D

RG179DT 4K Ultra High Definition, 0.3/1.4



MATERIAL SPECIFICATION

Inner Conductor	Silver Plated Copper (0.31mm)
Dielectric	Physical Foam Polyethylene (1.42mm)
First Shield	Aluminium Foil (1.52mm)
Second Shield	Tinned Copper Braid (1.95mm)
Jacket	Black PVC (2.55mm)

ELECTRICAL SPECIFICATION

Impedance	75 Ohms
Max. Frequency	DC to 12 GHz
Capacitance	55 pF/m
Velocity of Propagation	80%

UHD75-179D

RG179DT 4K Ultra High Definition, 0.3/1.4

MECHANICAL & ENVIRONMENTAL SPECIFICATION

Bending Radius (static)	8mm
Bending Radius (flexing)	30mm
RoHS Compliant	Yes
Temperature Range	-20 to +75 degrees C
CPR Compliance	Fca

FREQUENCY ATTENUATION (per 100m)

FREQUENCY	ATTENUATION (per 100m)
270.000 MHz	35.50 dB
540.000 MHz	50.50 dB
1000.000 MHz	70.00 dB
3000.000 MHz	126.00 dB
6000.000 MHz	175.00 dB
12000.000 MHz	250.00 dB

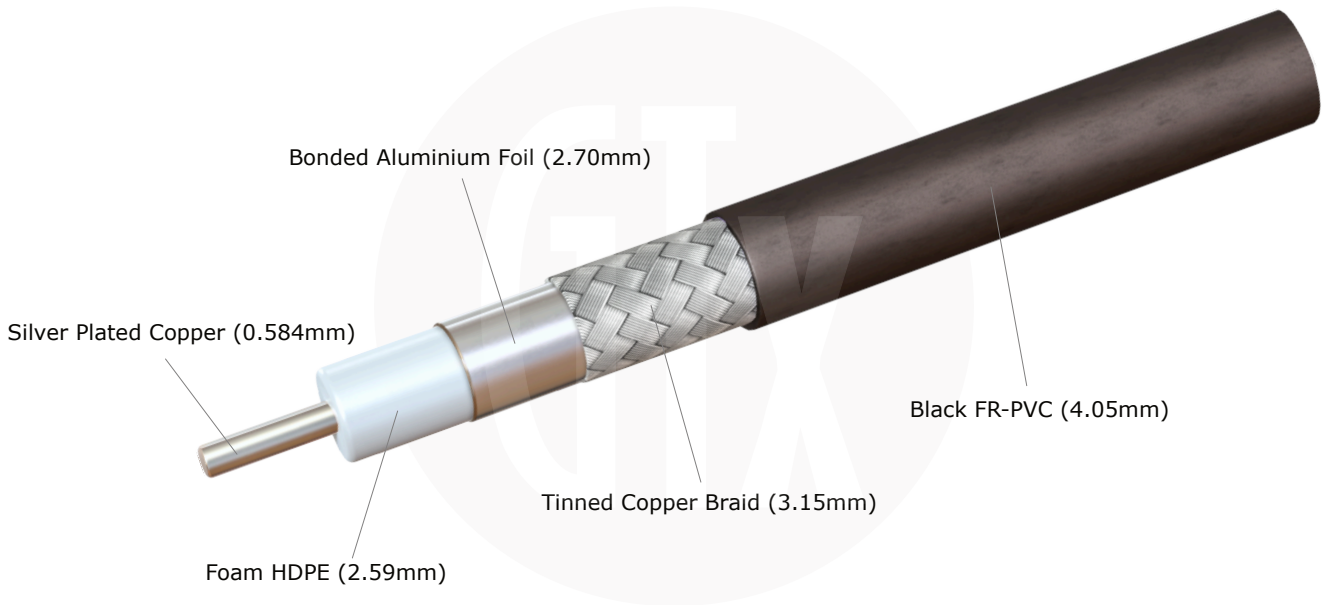
RECOMMENDED MAXIMUM TRANSMISSION LENGTH*

Single Link 3Gb/s (SMPTE ST425) maximum distance 47m
Single Link 6Gb/s (SMPTE ST2081) maximum distance 31m
Single Link 12Gb/s (SMPTE 2082, SMPTE 2083) maximum distance 22m

*based on 40dB loss at 1/2 clock frequency

UHD75-M59

Mini RG59 4K Ultra High Definition, 0.6/2.6



MATERIAL SPECIFICATION

Inner Conductor	Silver Plated Copper (0.584mm)
Dielectric	Foam HDPE (2.59mm)
First Shield	Bonded Aluminium Foil (2.70mm)
Second Shield	Tinned Copper Braid (3.15mm)
Jacket	Black FR-PVC (4.05mm)

ELECTRICAL SPECIFICATION

Impedance	75 Ohms
Max. Frequency	DC to 12 GHz
Capacitance	53 pF/m
Velocity of Propagation	83%

UHD75-M59

Mini RG59 D4K Ultra High Definition, 0.6/2.6

MECHANICAL & ENVIRONMENTAL SPECIFICATION

Bending Radius (static)	14mm
Bending Radius (flexing)	46mm
RoHS Compliant	Yes
Temperature Range	-20 to +75 degrees C
CPR Compliance	Eca

FREQUENCY	ATTENUATION (per 100m)
270.000 MHz	17.84 dB
540.000 MHz	25.72 dB
1000.000 MHz	35.40 dB
3000.000 MHz	62.30 dB
6000.000 MHz	90.80 dB
12000.000 MHz	135.00 dB

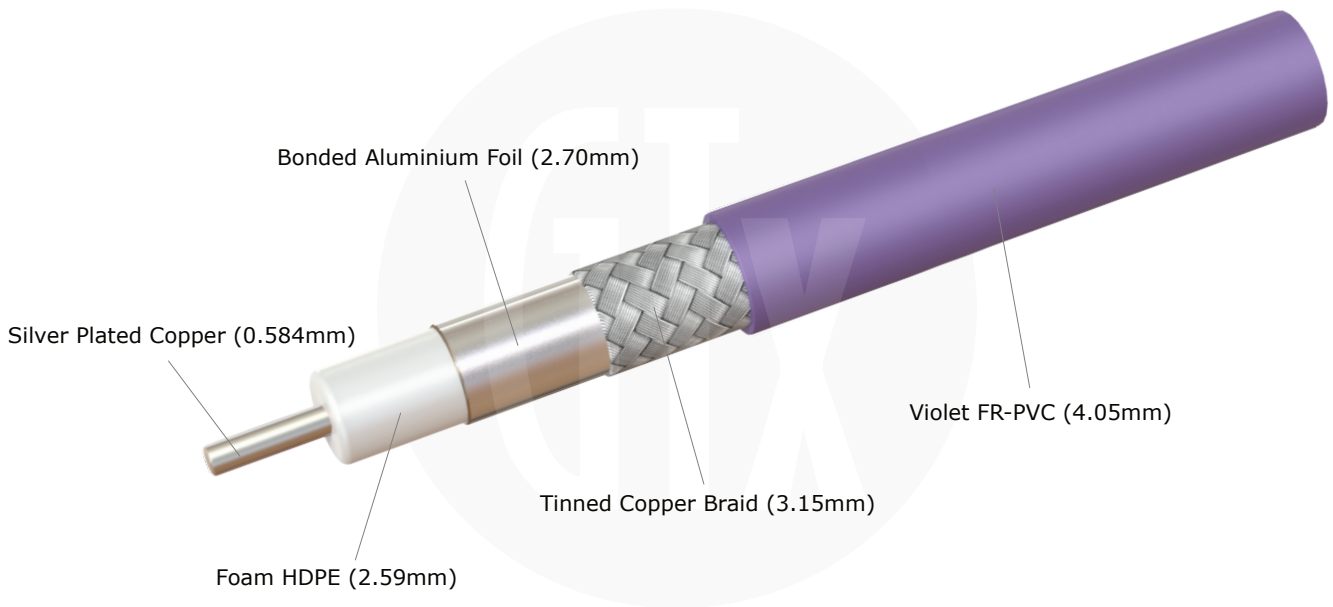
RECOMMENDED MAXIMUM TRANSMISSION LENGTH*

Single Link 3Gb/s (SMPTE ST425) maximum distance 97m
Single Link 6Gb/s (SMPTE ST2081) maximum distance 64m
Single Link 12Gb/s (SMPTE 2082, SMPTE 2083) maximum distance 44m

*based on 40dB loss at 1/2 clock frequency

UHD75-M59-7

Mini RG59 4K Ultra High Definition, 0.6/2.6



MATERIAL SPECIFICATION

Inner Conductor	Silver Plated Copper (0.584mm)
Dielectric	Foam HDPE (2.59mm)
First Shield	Bonded Aluminium Foil (2.70mm)
Second Shield	Tinned Copper Braid (3.15mm)
Jacket	Violet FR-PVC (4.05mm)

ELECTRICAL SPECIFICATION

Impedance	75 Ohms
Max. Frequency	DC to 12 GHz
Capacitance	53 pF/m
Velocity of Propagation	83%

UHD75-M59-7

Mini RG59 4K Ultra High Definition, 0.6/2.6

MECHANICAL & ENVIRONMENTAL SPECIFICATION

Bending Radius (static)	14mm
Bending Radius (flexing)	46mm
RoHS Compliant	Yes
Temperature Range	-20 to +75 degrees C
CPR Compliance	Eca

FREQUENCY	ATTENUATION (per 100m)
270.000 MHz	17.84 dB
540.000 MHz	25.72 dB
1000.000 MHz	35.40 dB
3000.000 MHz	62.30 dB
6000.000 MHz	90.80 dB
12000.000 MHz	135.00 dB

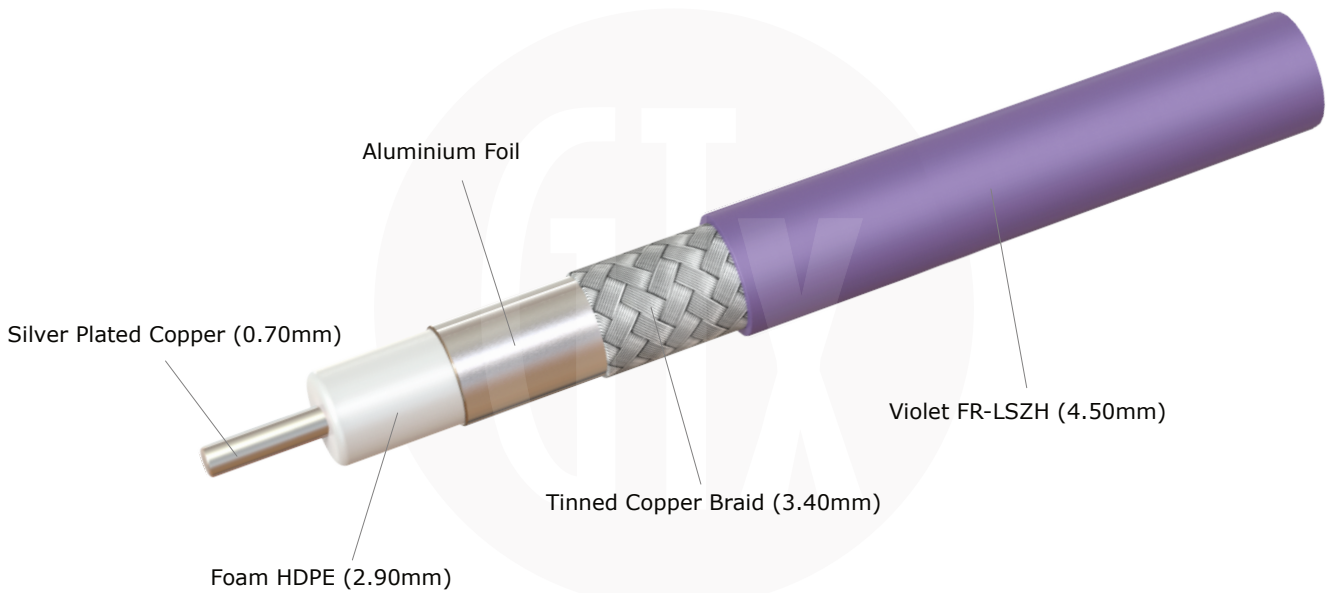
RECOMMENDED MAXIMUM TRANSMISSION LENGTH*

Single Link 3Gb/s (SMPTE ST425) maximum distance 97m
Single Link 6Gb/s (SMPTE ST2081) maximum distance 64m
Single Link 12Gb/s (SMPTE 2082, SMPTE 2083) maximum distance 44m

*based on 40dB loss at 1/2 clock frequency

UHD75-0729-7

4K Ultra High Definition, 0.7/2.9, Violet Jacket



MATERIAL SPECIFICATION

Inner Conductor	Silver Plated Copper (0.70mm)
Dielectric	Foam HDPE (2.90mm)
First Shield	Aluminium Foil
Second Shield	Tinned Copper Braid (3.40mm)
Jacket	Violet FR-LSZH (4.50mm)

ELECTRICAL SPECIFICATION

Impedance	75 Ohms
Max. Frequency	DC to 12 GHz
Capacitance	56 pF/m
Velocity of Propagation	78%

UHD75-0729-7

4K Ultra High Definition, 0.7/2.9, Violet Jacket

MECHANICAL & ENVIRONMENTAL SPECIFICATION

Bending Radius (static)	14mm
Bending Radius (flexing)	46mm
RoHS Compliant	Yes
Temperature Range	-20 to +75 degrees C
CPR Compliance	Eca

FREQUENCY	ATTENUATION (per 100m)
270.000 MHz	15.20 dB
540.000 MHz	21.30 dB
1000.000 MHz	31.20 dB
3000.000 MHz	55.60 dB
6000.000 MHz	81.00 dB
12000.000 MHz	114.60 dB

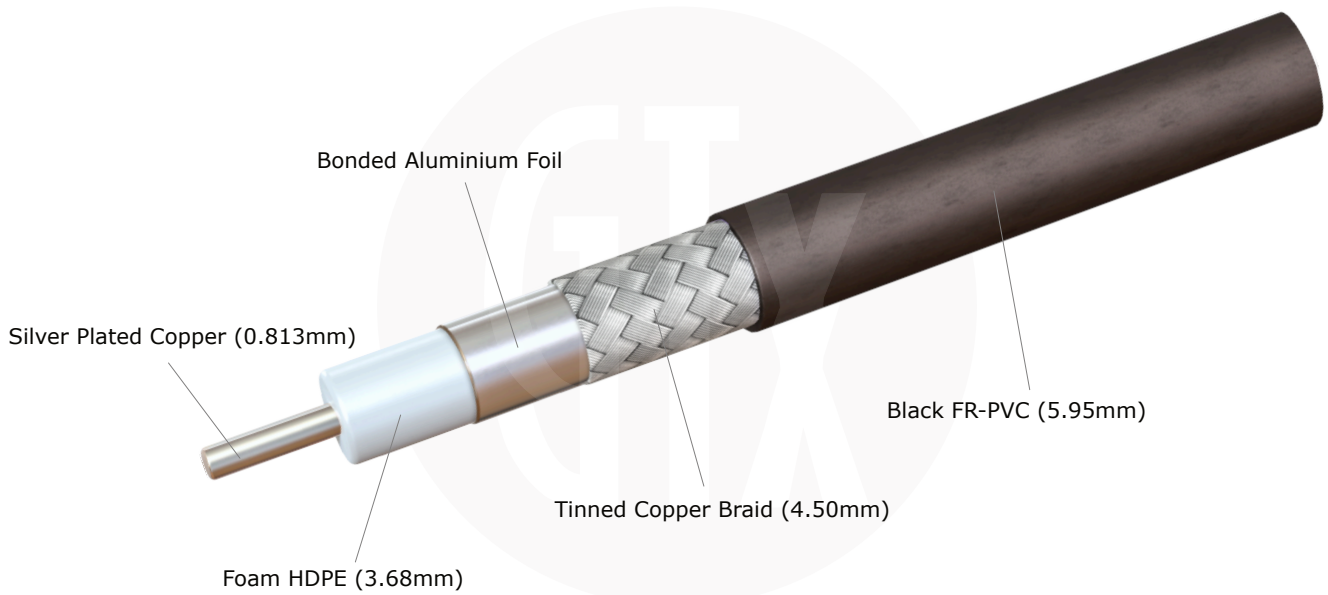
RECOMMENDED MAXIMUM TRANSMISSION LENGTH*

Single Link 3Gb/s (SMPTE ST425) maximum distance 102m
Single Link 6Gb/s (SMPTE ST2081) maximum distance 72m
Single Link 12Gb/s (SMPTE 2082, SMPTE 2083) maximum distance 49m

*based on 40dB loss at 1/2 clock frequency

UHD75-59

RG59 4K Ultra High Definition, 0.8/3.7



MATERIAL SPECIFICATION

Inner Conductor	Silver Plated Copper (0.813mm)
Dielectric	Foam HDPE (3.68mm)
First Shield	Bonded Aluminium Foil
Second Shield	Tinned Copper Braid (4.50mm)
Jacket	Black FR-PVC (5.95mm)

ELECTRICAL SPECIFICATION

Impedance	75 ohms
Max. Frequency	DC to 12 GHz
Capacitance	53 pF/m
Velocity of Propagation	83%
Voltage Withstanding	300V RMS Maximum

UHD75-59

RG59 4K Ultra High Definition, 0.8/3.7

MECHANICAL & ENVIRONMENTAL SPECIFICATION

Bending Radius (static)	18mm
Bending Radius (flexing)	60mm
RoHS Compliant	Yes
Temperature Range	-30 to +75 degrees C
CPR Compliance	Eca

FREQUENCY

ATTENUATION (per 100m)

270.000 MHz	12.50 dB
540.000 MHz	18.00 dB
1000.000 MHz	25.00 dB
3000.000 MHz	43.90 dB
6000.000 MHz	64.60 dB
12000.000 MHz	94.20 dB

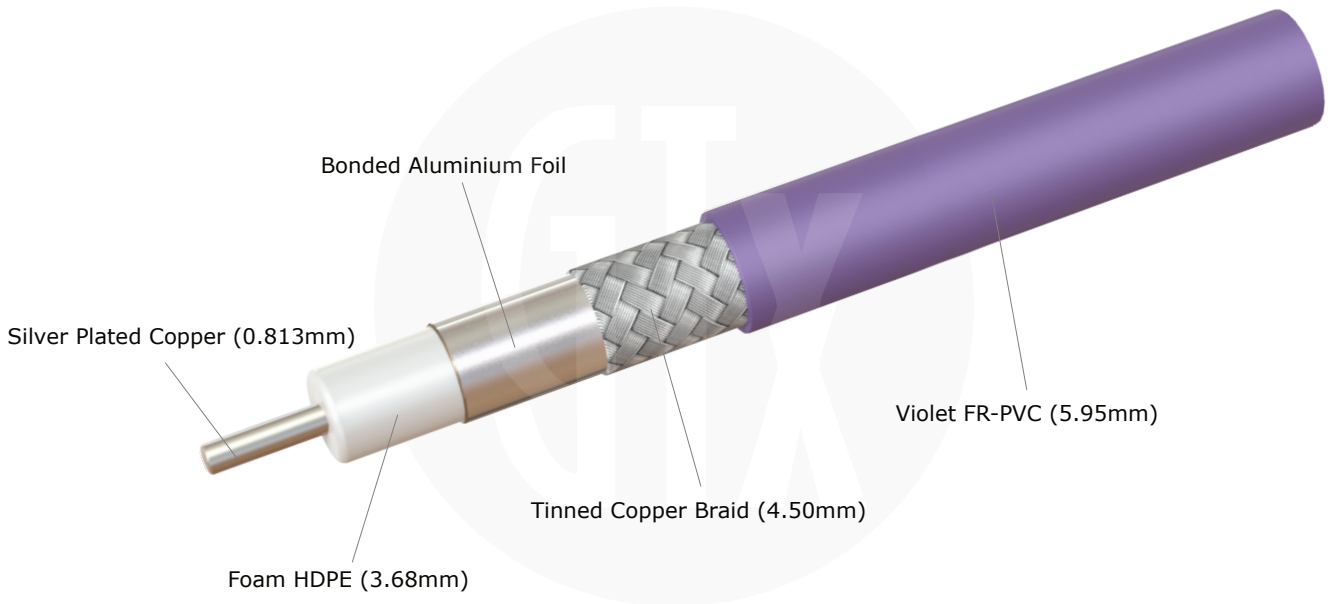
RECOMMENDED MAXIMUM TRANSMISSION LENGTH*

Single Link 3Gb/s (SMPTE ST425) maximum distance 133m
 Single Link 6Gb/s (SMPTE ST2081) maximum distance 91m
 Single Link 12Gb/s (SMPTE 2082, SMPTE 2083) maximum distance 61m

*based on 40dB loss at 1/2 clock frequency

UHD75-59-7

RG59 4K Ultra High Definition, 0.8/3.7



MATERIAL SPECIFICATION

Inner Conductor	Silver Plated Copper (0.813mm)
Dielectric	Foam HDPE (3.68mm)
First Shield	Bonded Aluminium Foil
Second Shield	Tinned Copper Braid (4.50mm)
Jacket	Violet FR-PVC (5.95mm)

ELECTRICAL SPECIFICATION

Impedance	75 ohms
Max. Frequency	DC to 12 GHz
Capacitance	53 pF/m
Velocity of Propagation	83%
Voltage Withstanding	300V RMS Maximum

UHD75-59-7

RG59 4K Ultra High Definition, 0.8/3.7

MECHANICAL & ENVIRONMENTAL SPECIFICATION

Bending Radius (static)	18mm
Bending Radius (flexing)	60mm
RoHS Compliant	Yes
Temperature Range	-30 to +75 degrees C
CPR Compliance	Eca

FREQUENCY	ATTENUATION (per 100m)
270.000 MHz	12.50 dB
540.000 MHz	18.00 dB
1000.000 MHz	25.00 dB
3000.000 MHz	43.90 dB
6000.000 MHz	64.60 dB
12000.000 MHz	94.20 dB

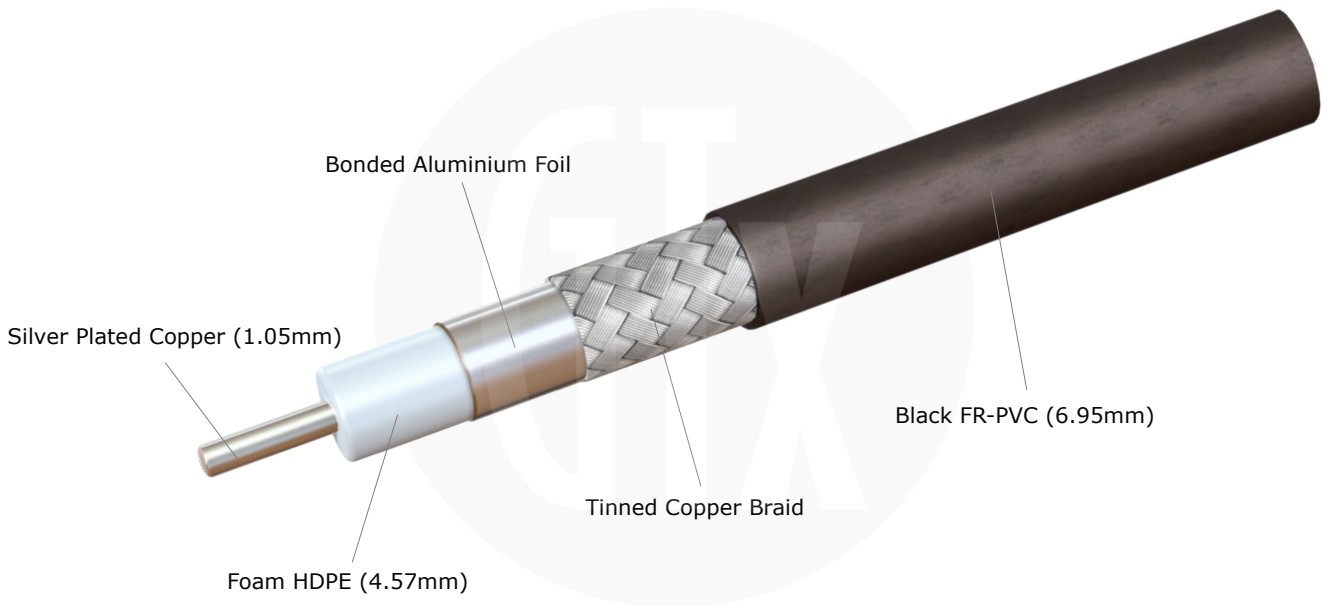
RECOMMENDED MAXIMUM TRANSMISSION LENGTH*

Single Link 3Gb/s (SMPTE ST425) maximum distance 133m
Single Link 6Gb/s (SMPTE ST2081) maximum distance 91m
Single Link 12Gb/s (SMPTE 2082, SMPTE 2083) maximum distance 61m

*based on 40dB loss at ½ clock frequency

UHD75-6

RG6 4K Ultra High Definition, 1.0/4.6



MATERIAL SPECIFICATION

Inner Conductor	Silver Plated Copper (1.05mm)
Dielectric	Foam HDPE (4.57mm)
First Shield	Bonded Aluminium Foil
Second Shield	Tinned Copper Braid
Jacket	Black FR-PVC (6.95mm)

ELECTRICAL SPECIFICATION

Impedance	75 ohms
Max. Frequency	DC to 12 GHz
Capacitance	52 pF/m
Velocity of Propagation	84.5%

UHD75-6

RG6 4K Ultra High Definition, 1.0/4.6

MECHANICAL & ENVIRONMENTAL SPECIFICATION

Bending Radius (static)	23mm
Bending Radius (flexing)	168mm
RoHS Compliant	Yes
Temperature Range	-30 to +75 degrees C
CPR Compliance	Eca

FREQUENCY	ATTENUATION (per 100m)
270.000 MHz	10.00 dB
540.000 MHz	14.00 dB
1000.000 MHz	19.00 dB
3000.000 MHz	35.00 dB
6000.000 MHz	50.00 dB
12000.000 MHz	75.00 dB

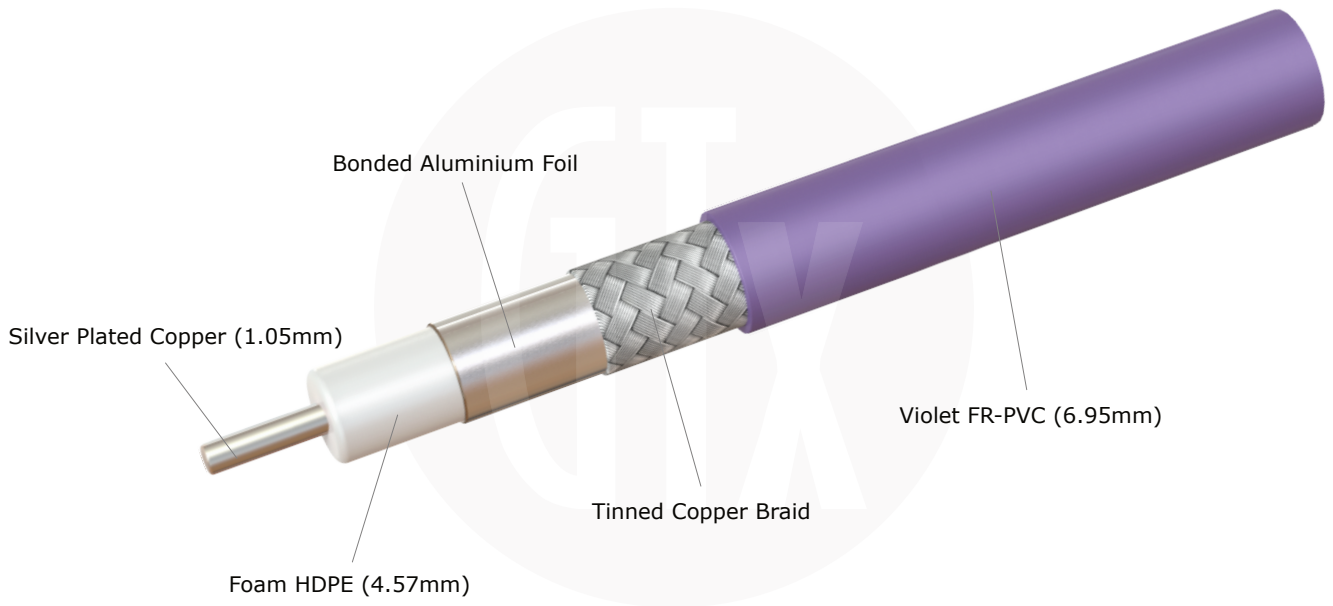
RECOMMENDED MAXIMUM TRANSMISSION LENGTH*

Single Link 3Gb/s (SMPTE ST425) maximum distance 166m
Single Link 6Gb/s (SMPTE ST2081) maximum distance 114m
Single Link 12Gb/s (SMPTE 2082, SMPTE 2083) maximum distance 80m

*based on 40dB loss at 1/2 clock frequency

UHD75-6-7

RG6 4K Ultra High Definition, 1.0/4.6



MATERIAL SPECIFICATION

Inner Conductor	Silver Plated Copper (1.05mm)
Dielectric	Foam HDPE (4.57mm)
First Shield	Bonded Aluminium Foil
Second Shield	Tinned Copper Braid
Jacket	Violet FR-PVC (6.95mm)

ELECTRICAL SPECIFICATION

Impedance	75 ohms
Max. Frequency	DC to 12 GHz
Capacitance	52 pF/m
Velocity of Propagation	84.5%

UHD75-6-7

RG6 4K Ultra High Definition, 1.0/4.6

MECHANICAL & ENVIRONMENTAL SPECIFICATION

Bending Radius (static)	23mm
Bending Radius (flexing)	168mm
RoHS Compliant	Yes
Temperature Range	-30 to +75 degrees C
CPR Compliance	Eca

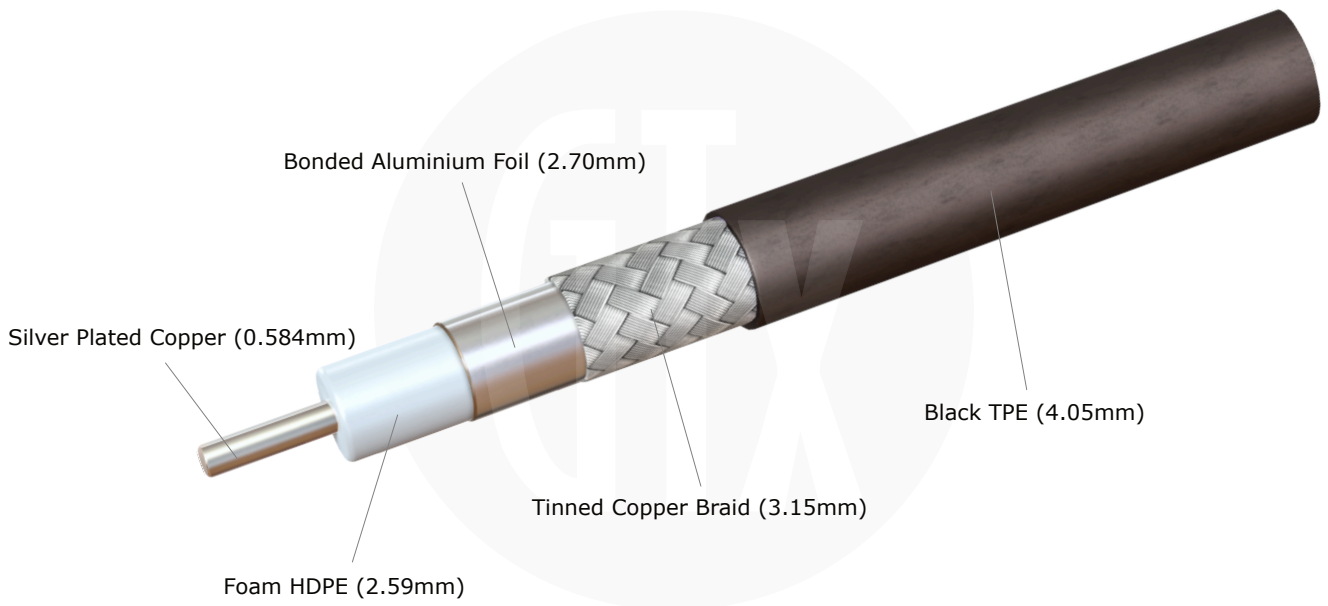
FREQUENCY	ATTENUATION (per 100m)
270.000 MHz	10.00 dB
540.000 MHz	14.00 dB
1000.000 MHz	19.00 dB
3000.000 MHz	35.00 dB
6000.000 MHz	50.00 dB
12000.000 MHz	75.00 dB

RECOMMENDED MAXIMUM TRANSMISSION LENGTH*

Single Link 3Gb/s (SMPTE ST425) maximum distance 166m
Single Link 6Gb/s (SMPTE ST2081) maximum distance 114m
Single Link 12Gb/s (SMPTE 2082, SMPTE 2083) maximum distance 80m

*based on 40dB loss at 1/2 clock frequency

UHD75-M59XF Mini RG59 ExtraFlex 4K Ultra High Definition, 0.6/2.6



MATERIAL SPECIFICATION

Inner Conductor	Silver Plated Copper (0.584mm)
Dielectric	Foam HDPE (2.59mm)
First Shield	Bonded Aluminium Foil (2.70mm)
Second Shield	Tinned Copper Braid (3.15mm)
Jacket	Black TPE (4.05mm)

ELECTRICAL SPECIFICATION

Impedance	75 Ohms
Max. Frequency	DC to 12 GHz
Capacitance	53 pF/m
Velocity of Propagation	83%

UHD75-M59XF Mini RG59 ExtraFlex 4K Ultra High Definition, 0.6/2.6

MECHANICAL & ENVIRONMENTAL SPECIFICATION

Bending Radius (static)	14mm
Bending Radius (flexing)	46mm
RoHS Compliant	Yes
Temperature Range	-20 to +75 degrees C
CPR Compliance	Fca

FREQUENCY ATTENUATION (per 100m)

FREQUENCY	ATTENUATION (per 100m)
270.000 MHz	17.84 dB
540.000 MHz	25.72 dB
1000.000 MHz	35.40 dB
3000.000 MHz	62.30 dB
6000.000 MHz	90.80 dB
12000.000 MHz	135.00 dB

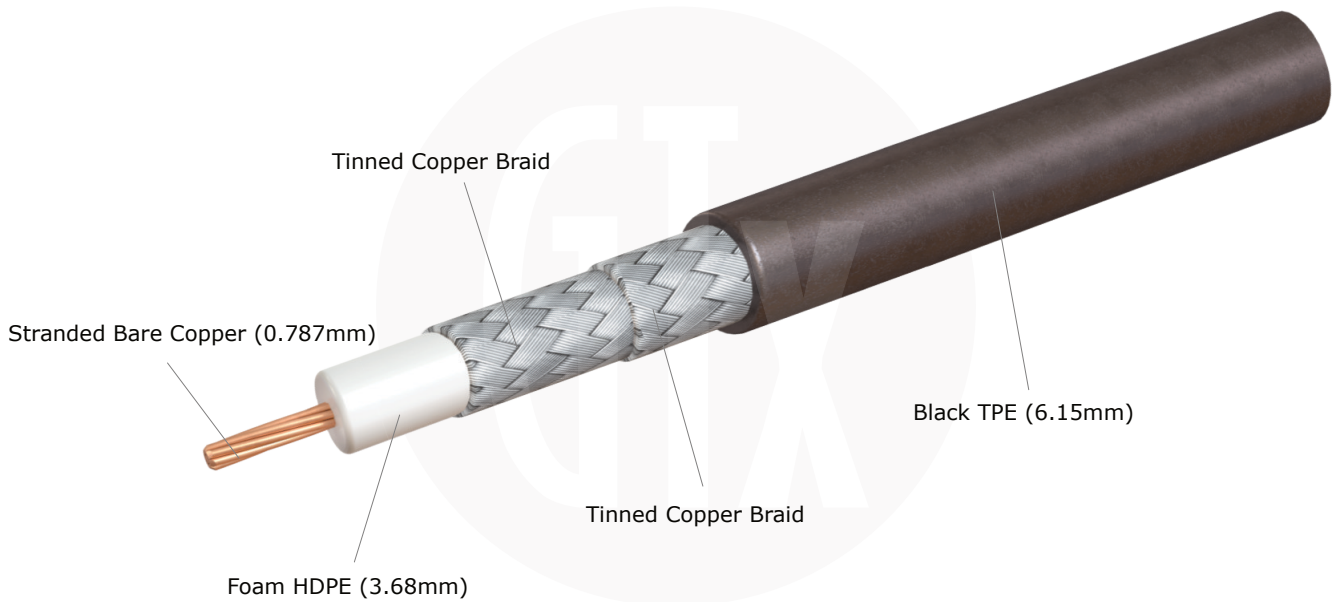
RECOMMENDED MAXIMUM TRANSMISSION LENGTH*

Single Link 3Gb/s (SMPTE ST425) maximum distance 97m
Single Link 6Gb/s (SMPTE ST2081) maximum distance 64m
Single Link 12Gb/s (SMPTE 2082, SMPTE 2083) maximum distance 44m

*based on 40dB loss at 1/2 clock frequency

UHD75-59XF

RG59 ExtraFlex 4K Ultra High Definition, 0.8/3.7



MATERIAL SPECIFICATION

Inner Conductor	Stranded Bare Copper (0.787mm)
Dielectric	Foam HDPE (3.68mm)
First Shield	Tinned Copper Braid
Second Shield	Tinned Copper Braid
Jacket	Black TPE (6.15mm)

ELECTRICAL SPECIFICATION

Impedance	75 ohms
Max. Frequency	DC to 12 GHz
Capacitance	54 pF/m
Velocity of Propagation	81%
Voltage Withstanding	300V RMS Maximum

UHD75-59XF

RG59 ExtraFlex 4K Ultra High Definition, 0.8/3.7

MECHANICAL & ENVIRONMENTAL SPECIFICATION

Bending Radius (static)	18mm
Bending Radius (flexing)	60mm
RoHS Compliant	Yes
Temperature Range	-30 to +75 degrees C
CPR Compliance	Fca

FREQUENCY ATTENUATION (per 100m)

FREQUENCY	ATTENUATION (per 100m)
270.000 MHz	16.73 dB
540.000 MHz	24.28 dB
1000.000 MHz	34.45 dB
3000.000 MHz	66.60 dB
6000.000 MHz	96.00 dB
12000.000 MHz	154.80 dB

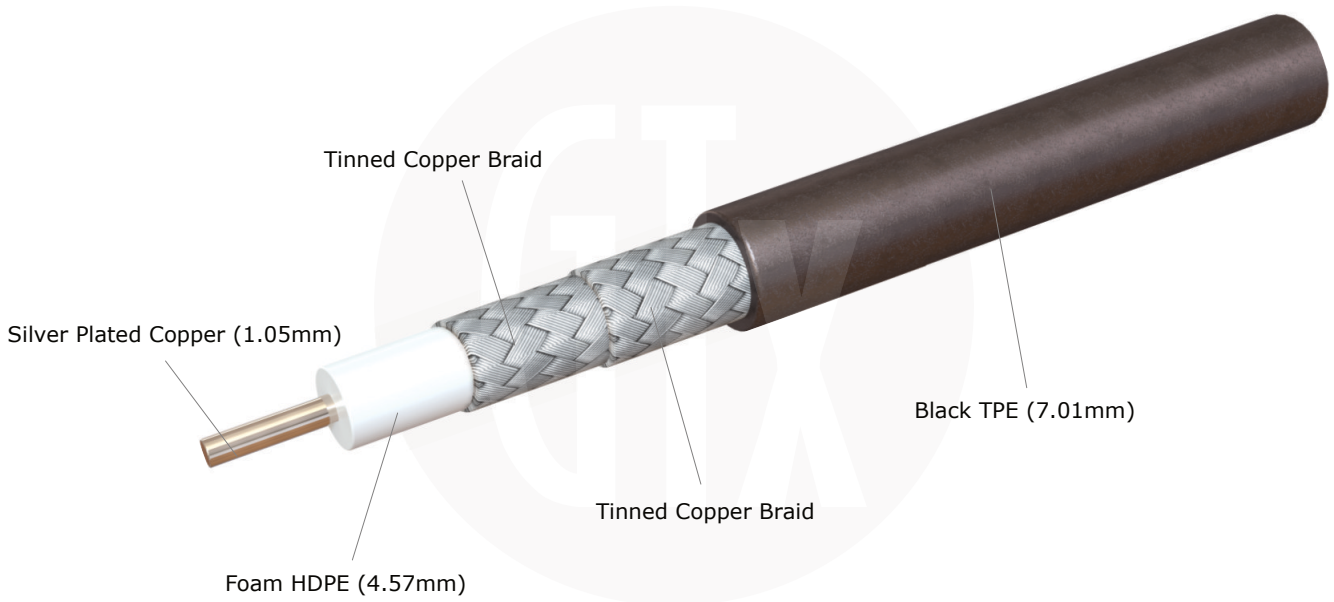
RECOMMENDED MAXIMUM TRANSMISSION LENGTH*

Single Link 3Gb/s (SMPTE ST425) maximum distance 91m
Single Link 6Gb/s (SMPTE ST2081) maximum distance 60m
Single Link 12Gb/s (SMPTE 2082, SMPTE 2083) maximum distance 41m

*based on 40dB loss at 1/2 clock frequency

UHD75-6XF

RG6 ExtraFlex 4K Ultra High Definition, 1.0/4.6



MATERIAL SPECIFICATION

Inner Conductor	Silver Plated Copper (1.05mm)
Dielectric	Foam HDPE (4.57mm)
First Shield	Tinned Copper Braid
Second Shield	Tinned Copper Braid
Jacket	Black TPE (7.01mm)

ELECTRICAL SPECIFICATION

Impedance	75 ohms
Max. Frequency	DC to 12 GHz
Capacitance	52 pF/m
Velocity of Propagation	84.5%

UHD75-6XF

RG6 ExtraFlex 4K Ultra High Definition, 1.0/4.6

MECHANICAL & ENVIRONMENTAL SPECIFICATION

Bending Radius (static)	23mm
Bending Radius (flexing)	168mm
RoHS Compliant	Yes
Temperature Range	-30 to +75 degrees C
CPR Compliance	Fca

FREQUENCY	ATTENUATION (per 100m)
270.000 MHz	11.60 dB
540.000 MHz	17.00 dB
1000.000 MHz	24.30dB
3000.000 MHz	46.00 dB
6000.000 MHz	70.90 dB
12000.000 MHz	132.50 dB

RECOMMENDED MAXIMUM TRANSMISSION LENGTH*

Single Link 3Gb/s (SMPTE ST425) maximum distance 130m
 Single Link 6Gb/s (SMPTE ST2081) maximum distance 87m
 Single Link 12Gb/s (SMPTE 2082, SMPTE 2083) maximum distance 56m

*based on 40dB loss at 1/2 clock frequency

Connector Cross Reference

4K, SDI 12G BNC

BNC 12G SDI PLUG, STANDARD COUPLING NUT



Part Number	Cable Type
BN15-0179-C06D-Z	UHD75-179D
BN15-4855-C06D-Z	HD75-M59, UHD75-M59, M59-7, M59XF
BN15-1855-C06D-Z	HD75-0628, UHD75-0729-7
BN15-1505-C06D-Z	HD75-59, UHD59-6, 59-7, 59XF
BN15-1694-C06D-Z	HD75-6, UHD75-6, 6-7, 6XF

BNC 12G SDI, BLACK CHROME COUPLING NUT



Part Number	Cable Type
BN15-0179-C23-Z	UHD75-179D
BN15-4855-C23-Z	HD75-M59, UHD75-M59, M59-7, M59XF
BN15-1855-C23-Z	HD75-0628, UHD75-0729-7
BN15-1505-C23-Z	HD75-59, UHD59-6, 59-7, 59XF
BN15-1694-C23-Z	HD75-6, UHD75-6, 6-7, 6XF

BNC 12G SDI PLUG, EXTENDED COUPLING NUT



Part Number	Cable Type
BN15-4855-C06X-Z	HD75-M59, UHD75-M59, M59-7, M59XF
BN15-1505-C06X-Z	HD75-59, UHD59-6, 59-7, 59XF
BN15-1694-C06X-Z	HD75-6, UHD75-6, 6-7, 6XF

BNC 12G SDI RIGHT ANGLE PLUG



Part Number	Cable Type
BN17-0179-C06-Z	UHD75-179D
BN17-4855-C06-Z	HD75-M59, UHD75-M59, M59-7, M59XF
BN17-1505-C06-Z	HD75-59, UHD59-6, 59-7, 59XF
BN17-1694-C06-Z	HD75-6, UHD75-6, 6-7, 6XF

Connector Cross Reference 4K, SDI 12G BNC & HD BNC (Micro BNC)

BNC 12G SDI JACK



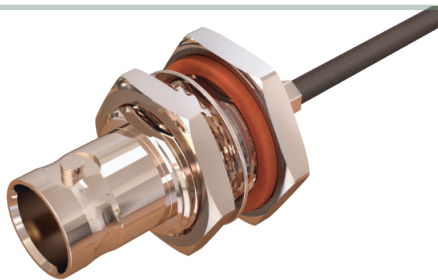
Part Number	Cable Type
BN10-0179-C06-Z	UHD75-179D
BN10-4855-C06-Z	HD75-M59, UHD75-M59, M59-7, M59XF
BN10-0628-C06-Z	HD75-0628, UHD75-0729-7
BN10-1505-C06-Z	HD75-59, UHD59-6, 59-7, 59XF
BN10-1694-C06-Z	HD75-6, UHD75-6, 6-7, 6XF

BNC 12G SDI BULKHEAD JACK, CIRCULAR FLANGE



Part Number	Cable Type
BN02-017C-C06-1-Z	UHD75-179D
BN02-4855-C06-Z	HD75-M59, UHD75-M59, M59-7, M59XF

BNC 12G SDI BULKHEAD JACK, HEXAGONAL FLANGE



Part Number	Cable Type
BN02-0179-C06WP-Z	UHD75-179D
BN02-4855-C06WP-Z	HD75-M59, UHD75-M59, M59-7, M59XF

HD BNC (MICRO BNC) 12G SDI PLUG



Part Number	Cable Type
HD15-0179-C06-Z	UHD75-179D
HD15-4855-C06-Z	HD75-M59, UHD75-M59, M59-7, M59XF
HD15-0628-C06-Z	HD75-0628, UHD75-0729-7
HD15-1505-C06-Z	HD75-59, UHD59-6, 59-7, 59XF
HD15-1694-C06-Z	HD75-6, UHD75-6, 6-7, 6XF

Connector Cross Reference 4K, SDI 12G HD BNC (Micro BNC) & DIN

HD BNC (MICRO BNC) 12G SDI RIGHT ANGLE PLUG



Part Number	Cable Type
HD17-0179-C06-1-Z	UHD75-179D
HD17-4855-C06-Z	HD75-M59, UHD75-M59, M59-7, M59XF
HD17-0628-C06-Z	HD75-0628, UHD75-0729-7

HD BNC (MICRO BNC) 12G SDI BULKHEAD JACK



Part Number	Cable Type
HD02-0179-C06-Z	UHD75-179D
HD02-4855-C06-Z	HD75-M59, UHD75-M59, M59-7, M59XF

DIN 1.0/2.3 12G SDI PLUG



Part Number	Cable Type
2315-0179-C06-Z	UHD75-179D
2315-0628-C06-Z	HD75-0628, UHD75-0729-7

DIN 1.0/2.3 12G SDI BULKHEAD JACK



Part Number	Cable Type
2302-0179-C01-Z	UHD75-179D

Innovation and Quality in Connectivity Solutions

Gigatronix Limited

Zullard House
4 Downley Road
Havant
Hampshire
PO9 2NJ,
United Kingdom
Tel: +44 (0)23 9245 4412

Taiwan Branch
2F, No. 16-1
Zhongshan Road
Tucheng Dist.
New Taipei City 236
Taiwan
Tel: +886 (2)8786 8738

sales@gigatronix.com

www.gigatronix.com